
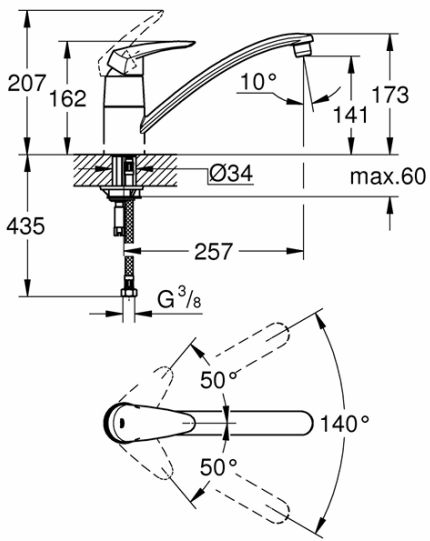




PROJECT		REF		REV	ITEM CODE	
LOCATION		DATE			PAGE	

SANITARY WARE SPECIFICATION SHEET

<p>Item Descriptions</p> <p>Dimensions</p> <p>Model</p> <p>Finish</p> <p>Manufacturer</p> <p>Source</p> <p>Contact Tel/Fax</p> <p>E-mail</p> <p>Website</p>	<p>GROHE (Germany) "EURODISC" Chrome plated single lever sink mixer swivel spout</p> <p>L257 x W34 x H207 mm</p> <p>33770001</p> <p>Chrome Plated</p> <p>GROHE Limited</p> <p>Ka Shing Enterprises (H.K.) Limited Mr. Ivan Lau / Mr. Gilman Yuen</p> <p>(852) 2628-0661 / (852) 2490-2700</p> <p>project@kashingehk.com</p> <p>www.kashingehk.com</p>	<p>Illustration/ Drawing</p>  
<p>low spout</p> <p>single hole installation</p> <p>GROHE Long-Life finish</p> <p>GROHE SilkMove 35 mm ceramic cartridge</p> <p>mousseur</p> <p>adjustable flow rate limiter</p> <p>swivel tubular spout</p> <p>swivel area 140°</p> <p>with stop limiter</p> <p>flexible connection hoses</p> <p>rapid installation system</p> <p>maximum flow rate (at 3 bar): 12 l/min</p>		

Note:

* All information of the above is for the reference only. No prior notice is made if any changes.