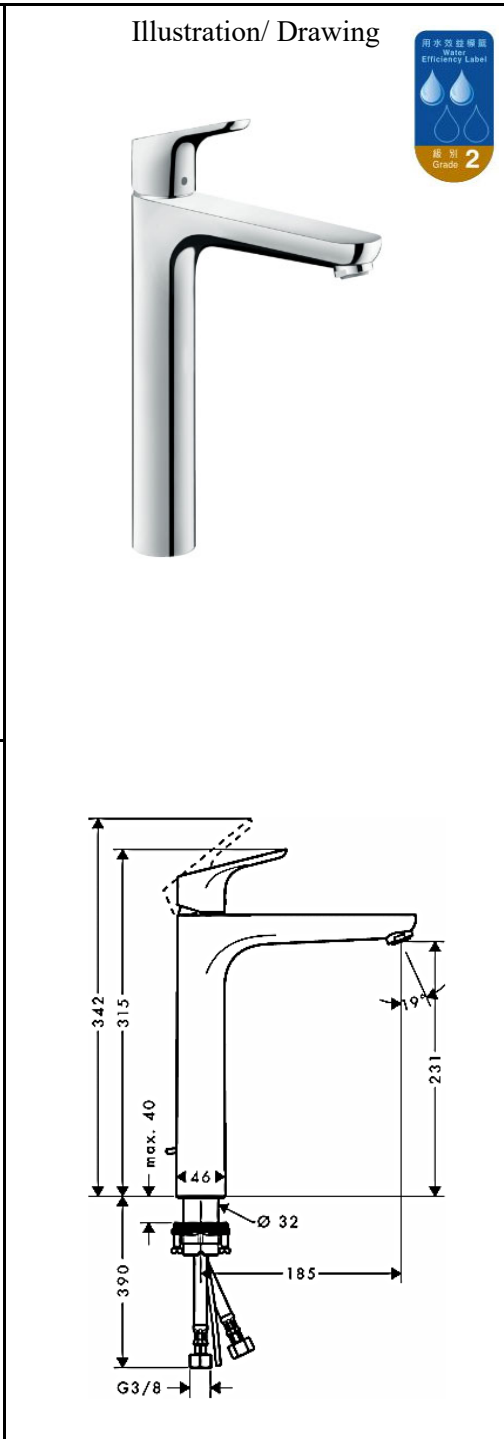
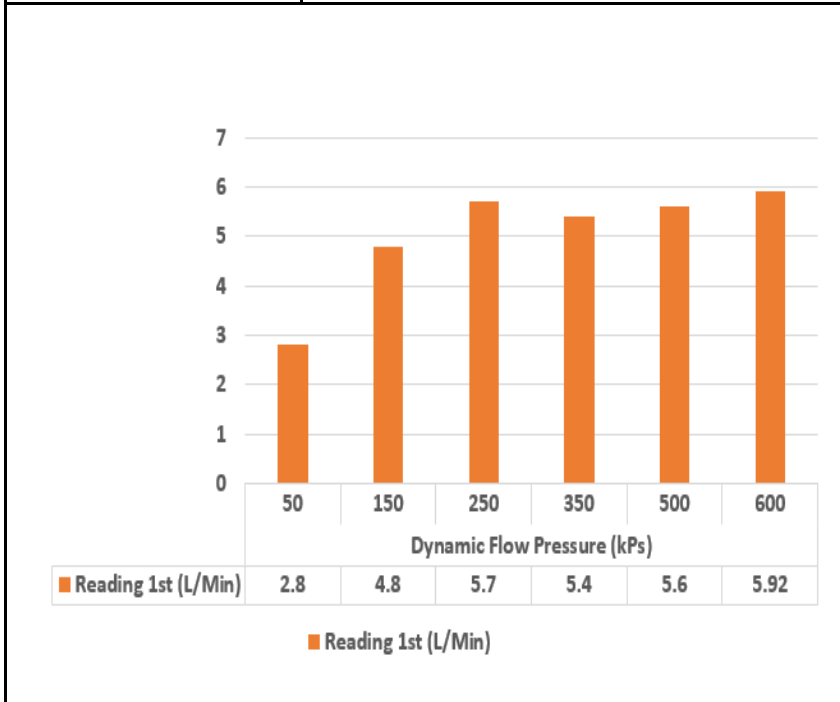




PROJECT		REF		REV	ITEM CODE	
LOCATION		DATE			PAGE	

SANITARY WARE SPECIFICATION SHEET

Item Descriptions	Hansgrohe (Germany) Chrome plated extended single lever mixer; Nominal flow rate 5.3 L/min in WELS Grand 2 ; Registration No. TM 21-0098	Illustration/ Drawing
Model	31531000	
Material / Finish	Chrome Plated	
Manufacturer	Hansgrohe SE	
Source	Ka Shing Enterprises (H.K) Limited Mr. Ivan Lau / Mr. GilmanYuen	
Contact Tel/Fax	(852) 2628-0661 / (852) 2490-2700	
E-mail Website	kashing.project@gmail.com www.kashingehk.com	



Note:

* All information of the above is for the reference only. No prior notice is made if any changes.

註冊號碼 (Registration No.): TM 21-0098



自願參與用水效益標籤計劃 - 水龍頭
Voluntary Water Efficiency Labelling Scheme - Water Taps

Certificate of Registration 註冊證書




茲證明
This is to certify that

將下列水龍頭在本計劃內註冊：
has registered the following water tap under this scheme :

牌子 / Brand	:	Hansgrohe
型號 / Model	:	3153x-2 + 13185000
種類 / Type	:	Mixing
原產地 / Country or Region Origin	:	Germany (Mixer & Flow Controller)

x – denotes the code of series

在用水效益標籤上展示的標誌 <i>Symbolic Presentation on the Water Efficiency Label</i>	:		滴水點 <i>Water droplet(s)</i>
用水效益級別 <i>Water Efficiency Grade</i>	:	2	
耗水量 <i>Water Consumption</i>	:	5.3	公升/分鐘 <i>litres/minute</i>



簽發日期：
Date of Issue: 29 March 2021

 水務署
Water Supplies Department



水務署署長(張業駒代行)
for Director of Water Supplies

PRODUCT DETAILS

Brand	Hansgrohe	Manufacturer	Hansgrohe SE
Origin	Germany	GA Number	C20210177
Approval Date	2-Mar-21	Expiry Date	6-Dec-25
Class	Mixer	Type of Fittings	Single lever basin mixer
Water Supply System	Fresh Water	Size	3/8 inch
Model	3153x	QA Info. Submitted ?	
GA*		Surveillance Status	<input type="text"/>
Surveillance Status Effective Date	<input type="text"/>	Surveillance Remarks	<input type="text"/>
		Letter	Download

Water Efficiency Labelling Scheme

Registration Number	Water Efficiency Grade	Nominal Flow Rate/Flush Volume	Remarks
TM 21-0098	2	5.3 litre/min. or cycle	
TM 19-0351	1	2.6 litre/min. or cycle	



水務署
Water Supplies Department

總部 Headquarters

香港灣仔告士打道七號入境事務大樓 48 樓

48/F, Immigration Tower, 7 Gloucester Road, Wan Chai, Hong Kong

本署檔號 : (2) in WSD 3321/2021 T/J(143/2021)
Our ref.
來函檔號 :
Your ref.

電話 :
Tel.
傳真 : 2824 0578
Fax.

2 March 2021



Approval of "HANSGROHE" Basin Mixer
(General Acceptance No. C20210177)

Your letter ref. HG/HK/WSD/004/3153x/01/21 dated 4 January 2021 refers.

Having considered the test report ref. J25864A issued on 24 December 2020 by Nutek Systems (HK) Ltd., this Authority accepts that the fitting described below complies with, and its use when correctly installed does not contravene, the Waterworks Ordinance and Regulations.

Name of Manufacturer: Hansgrohe SE
Country of Origin: Germany
Brand: Hansgrohe
Details of Fitting: 3/8" Single lever basin mixer
Model: 3153x
(where "x" denotes the code of series)
Body Markings: hansgrohe
Expiry Date: 6 December 2025



This Authority hereby permits the use of the above fitting in fresh water plumbing systems subject to full adherence to Waterworks installation requirements. In particular, you are required to draw your customers' attention to the following requirement-

"The cold water supply to the fitting shall be drawn from the same source that supplies the hot water apparatus so as to provide a balanced pressure and to obviate the risk of scalding in the event of a restriction or failure in the water supply."

A condition of this acceptance is that the fitting to be installed shall be replicas of the sample as certified by the testing agent mentioned above and without modifications. This acceptance may be withdrawn at any time if the standard of the fitting installed fails to meet that of the approved sample or if the fitting is found to be unsuitable for use in fresh water plumbing systems.

This acceptance is only applicable to the main body of the fitting, unless otherwise specified.

For the use of the fitting in any project, the General Acceptance Number of this letter must be quoted as a means of identification of acceptance of the fitting by this Authority.

Should you have any enquiries, please contact our Engineer Mr. Terry KUNG at tel. no. 3583 4086.

Yours faithfully,



(Roger WONG)

for Director of Water Supplies

Encl.

c.c. WSD 3321/1/82] - without catalogue
ME/MC] - with soft copy only

General Acceptance No. C20210177