
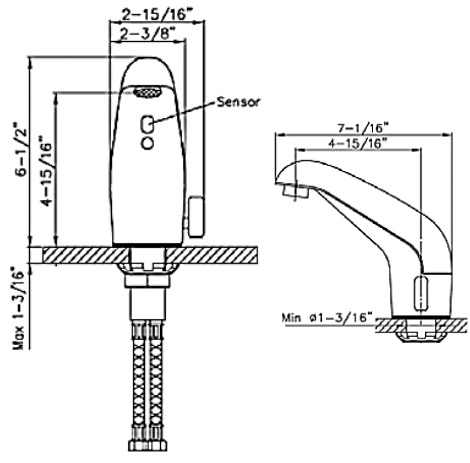
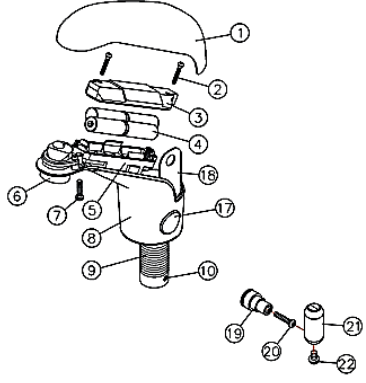




| | | | | | | |
|----------|--|------|--|-----|-----------|--|
| PROJECT | | REF | | REV | ITEM CODE | |
| LOCATION | | DATE | | | PAGE | |

SANITARY WARE SPECIFICATION SHEET

| | | |
|--|--|--|
| <p>Item Descriptions</p> <p>Model</p> <p>Dimensions</p> <p>Finish</p> <p>Manufacturer</p> <p>Source</p> <p>Contact Tel/Fax</p> <p>E-mail</p> <p>Website</p> | <p>Hydrotek (USA) Chrome plated brass hand washing sensor faucet basin mixer; operated in DC Supply; top access replacement of batteries; 0.5 GPM vandal resistant aerator</p> <p>HB-5000EM</p> <p>L125 x W60 x H165 mm</p> <p>Chrome Plated</p> <p>Taiwan</p> <p>Ka Shing Enterprises (H.K) Limited Mr. Ivan Lau / Mr. GilmanYuen</p> <p>(852) 2628-0661 / (852) 2490-2700 kashing.project@gmail.com www.kashingehk.com</p> | <p>Illustration/ Drawing</p>    |
| <p>The 5000EM Series faucet is an elegant piston operated sensory faucet that provides a vandal resistant, no touch lavatory solution with hot/cold mixing and manual on/off adjustments that promotes better hygiene and energy savings. Designed to be easy to install and maintain, all major faucet components are encased above deck making it easier access. The sensor included in this faucet is self adapting meaning manual adjustments are not necessary and the innovative sensor placement eliminates ambient reflectivity issues.</p> <ul style="list-style-type: none"> ● Auto,time-out: - 60 seconds ● Sensor range: - Self adapting ● Shut-off delay: - 1 second ● Battery powered models: - (4) AA Alkaline batteries ● Battery service life: - 400,000 on/off cycles, up to 4 years <p>HB-5000EM Battery Powered Automatic Faucet with above the deck Temperature Control and Manual Override:</p> <p>Single-hole deck mount, mixing, automatic, lavatory faucet with chrome plated, solid, all metal construction. Includes faucet, sensor assembly, 6V DC slow-closing solenoid valve, (2) 3/8" braided S.S. supply lines, two (2) in-line filters with integral checks, 0.5 GPM vandal resistant aerator, (1) external temperature control lever assembly and all necessary faucet mounting hardware. All major faucet components (sensor, battery holder, control module PCB and solenoid valve) are housed in an innovative,vandal resistant, clam-shell designed faucet body for easy installation and quick above the deck access. Installation of the external temperature control lever assembly (provided) will allow for an external water temperature adjustment and a manual On/Off option. If external temperature control lever is not installed, water temperature may still be fixed from "above the deck". Unique mounting of self-adapting sensor resolves all potential reflectivity issues</p> | | |

Note:

* All information of the above is for the reference only. No prior notice is made if any changes.



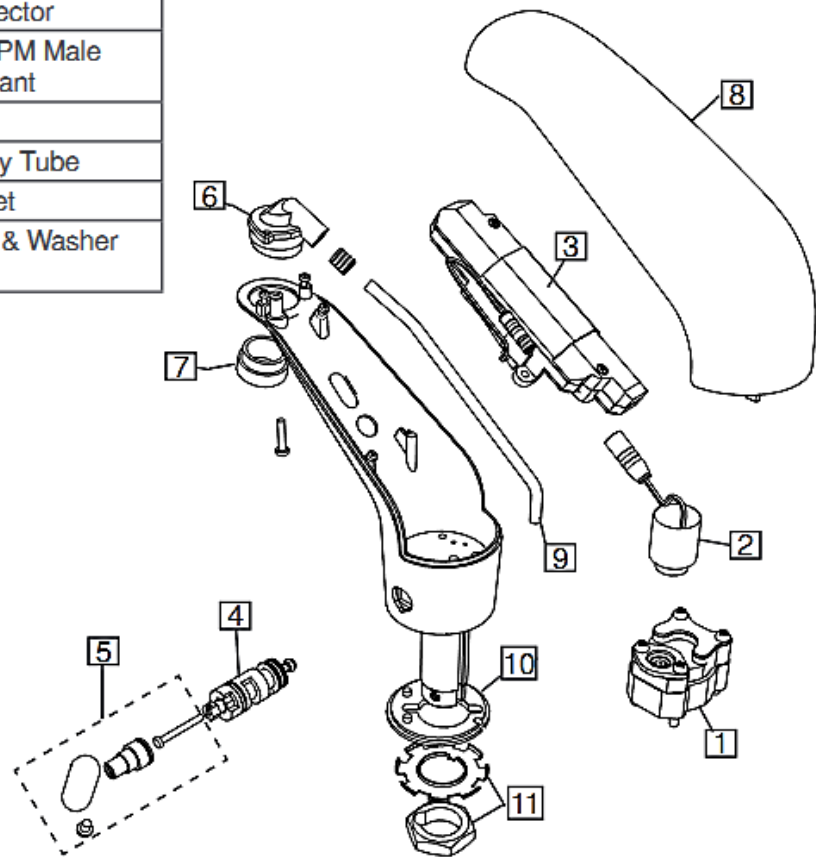
| | | | | | | |
|----------|--|------|--|-----|-----------|--|
| PROJECT | | REF | | REV | ITEM CODE | |
| LOCATION | | DATE | | | PAGE | |

SANITARY WARE SPECIFICATION SHEET

5000EM Series

Sensor Operated Mixing Faucet Assembly Parts

| No | Part Number | Description |
|----|-------------|--|
| 1 | HCE-004 | Solenoid Module |
| 2 | HCE-019 | Solenoid Coil |
| 3 | HCE-018A/B | Control Module A=AC, B=Battery |
| 4 | HCE-028 | Temp. Adjuster Rod |
| 5 | HCE-029 | Temp. Handle Assembly |
| 6 | HCE-006 | Aerator Connector |
| 7 | HB-003AMVR | Aerator 0.5 GPM Male Vandal Resistant |
| 8 | HCE-014 | Top Cover |
| 9 | HCE-016 | Copper Supply Tube |
| 10 | HCE-022 | Rubber Gasket |
| 11 | HCE-021 | Mounting Nut & Washer Assembly |



Note:

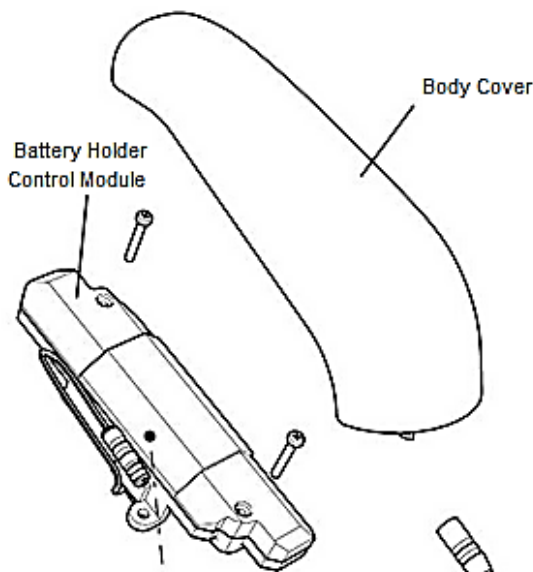
* All information of the above is for the reference only. No prior notice is made if any changes.



| | | | | | | |
|----------|--|------|--|-----|-----------|--|
| PROJECT | | REF | | REV | ITEM CODE | |
| LOCATION | | DATE | | | PAGE | |

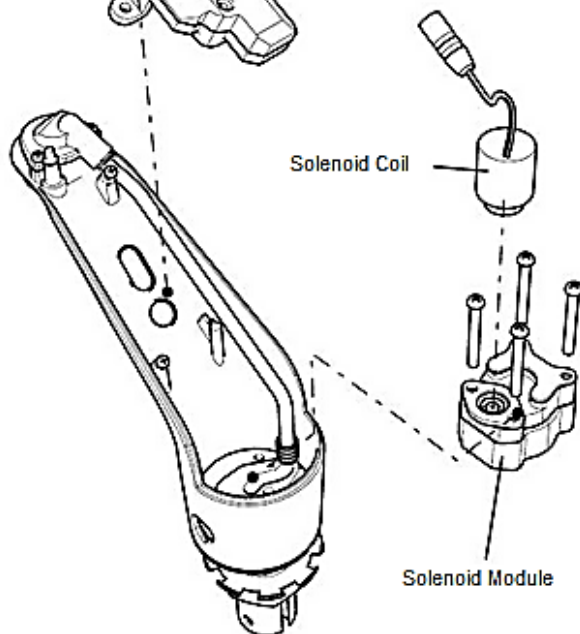
SANITARY WARE SPECIFICATION SHEET

HCE-194 Solenoid Valve Assembly Replacement



1. Remove faucet Body Cover.
2. Remove batteries (battery powered faucets) or unplug power adapter (AC powered faucets).
3. Loosen and remove the Battery Holder/Control Module, making sure to disconnect all connectors.
4. Unscrew and remove the Solenoid Coil from the Solenoid Valve Module.
5. Completely loosen the four screws securing the Solenoid Valve Module. List the Solenoid Valve Module from the faucet.
6. Install the new Solenoid Valve Module and reassemble the faucet in reverse order. *NOTE: When installing the Solenoid Coil to the Solenoid Valve Module, DO NOT over-tighten. Fit should be snug.*

CONTROL MODULE (P.C. BOARD) REPLACEMENT



1. Remove faucet Body Cover.
2. Remove batteries (battery powered faucets) or unplug power adapter (AC powered faucets).
3. Unplug the Battery Holder/Control Module connector.
4. Loosen the two screws holding the Battery Holder/Control Module and remove it.
5. Install the new Battery Holder/Control Module ensuring the sensor eye is fitted correctly to the faucet body.

Note:

* All information of the above is for the reference only. No prior notice is made if any changes.



水務署
Water Supplies Department

總部 Headquarters
香港灣仔告士打道七號入境事務大樓 48 樓
48/F, Immigration Tower, 7 Gloucester Road, Wan Chai, Hong Kong

本署編號 : (6) in WSD 3321/2020 T/J(1595/2020)
Our ref.
來函編號 :
Your ref.

電話 :
Tel.
傳真 : 2824 0578
Fax.

10 February 2021



Approval of "HYDROTEK" Sensor Taps (General Acceptance No. C20210134)

Your letters ref. 491/20, 560/20 and 600/20 dated 4 December 2020, 6 January 2021 and 20 January 2021 respectively refer.

Having considered the test report ref. RHCF026r2 issued on 19 January 2021 by Ideal Test Consultants Ltd., this Authority accepts that the fittings described below comply with, and their use when correctly installed does not contravene, the Waterworks Ordinance and Regulations.

Name of Manufacturer: Hydrotek Corporation
Country of Origin: Taiwan, China
Brand: Hydrotek
Details of Fitting: 3/8" Deck mounted sensor tap
Model: HB-5000EM and H-5000EM
Body Markings: **Hydrotek**
Expiry Date: 11 November 2025



This Authority hereby permits the use of the above fittings in fresh water plumbing systems subject to full adherence to Waterworks installation requirements. In particular, you are required to draw your customers' attention to the following requirement-

"A stop cock or gate valve must be installed at the upstream of the fittings for manual isolation of water supply." AND

"The main voltage operated sensor valve should comply with the electricity safety regulation for applications in bathroom, toilet etc."

A condition of this acceptance is that the fittings to be installed shall be replicas of the samples as certified by the testing agent mentioned above and without modifications. This acceptance may be withdrawn at any time if the standard of the fittings installed fails to meet that of the approved samples or if the fittings are found to be unsuitable for use in fresh water plumbing systems.

This acceptance is only applicable to the main body of the fittings, unless otherwise specified.

For the use of the fittings in any project, the General Acceptance Number of this letter must be quoted as a means of identification of acceptance of the fittings by this Authority.

Should you have any enquiries, please contact our Engineer Mr. Terry KUNG at tel. no. 3583 4086.

Yours faithfully,



(CHAN Chung-kun)

for Director of Water Supplies

Encl.

c.c. WSD 3321/1/82] - without catalogue
 ME/MC] - with soft copy only