



PROJECT		REF		REV	ITEM CODE	
LOCATION		DATE			PAGE	

## SANITARY WARE SPECIFICATION SHEET

<p><b>Item Descriptions</b></p> <p>Hydrotek (USA) Chrome plated brass hand washing sensor faucet basin mixer; operated in AC Supply; top access replacement of batteries; 0.5 GPM vandal resistant aerator</p>	<p><b>Model</b></p> <p>H-5000EM</p> <p><b>Dimensions</b></p> <p>L125 x W60 x H165 mm</p> <p><b>Finish</b></p> <p>Chrome Plated</p> <p><b>Manufacturer</b></p> <p>Taiwan</p> <p><b>Source</b></p> <p>Ka Shing Enterprises (H.K) Limited          Mr. Ivan Lau / Mr. GilmanYuen</p> <p><b>Contact Tel/Fax</b></p> <p>(852) 2628-0661 / (852) 2490-2700</p> <p><b>E-mail</b></p> <p>kashing.project@gmail.com</p> <p><b>Website</b></p> <p>www.kashingehk.com</p>	<p style="text-align: center;"><b>Illustration/ Drawing</b></p> <div style="text-align: center;"> </div> <div style="text-align: center;"> </div> <div style="text-align: center;"> </div>
<p>The 5000EM Series faucet is an elegant piston operated sensory faucet that provides a vandal resistant, no touch lavatory solution with hot/cold mixing and manual on/off adjustments that promotes better hygiene and energy savings. Designed to be easy to install and maintain, all major faucet components are encased above deck making it easier access. The sensor included in this faucet is self adapting meaning manual adjustments are not necessary and the innovative sensor placement eliminates ambient reflectivity issues.</p> <ul style="list-style-type: none"> <li>● Standard Plug - in: -Input AC 240V 60Hz</li> <li>● (UL/CSA) -Output DC 7.5V,0.8A/Class 2</li> <li>● Power Cable: -Armored, vandal resistant</li> <li>● Optional Multi-Unlit Adapter: -Serves up to 10 faucets</li> <li>● (UL/CSA) -Input AC240V, Output DC 7.5V,3As</li> </ul> <p><b>HB-5000EM Battery Powered Automatic Faucet with above the deck Temperature Control and Manual Override:</b></p> <p>Single-hole deck mount, mixing, automatic, lavatory faucet with chrome plated, solid, all metal construction. Includes faucet, sensor assembly, 6V DC slow-closing solenoid valve, (2) 3/8" braided S.S. supply lines, two (2) in-line filters with integral checks, 0.5 GPM vandal resistant aerator, (1) external temperature control lever assembly and all necessary faucet mounting hardware. All major faucet components (sensor, battery holder, control module PCB and solenoid valve) are housed in an innovative, vandal resistant, clam-shell designed faucet body for easy installation and quick above the deck access. Installation of the external temperature control lever assembly (provided) will allow for an external water temperature adjustment and a manual On/Off option. If external temperature control lever is not installed, water temperature may still be fixed from "above the deck". Unique mounting of self-adapting sensor resolves all potential reflectivity issues.</p>		

**Note:**

\* All information of the above is for the reference only. No prior notice is made if any changes.



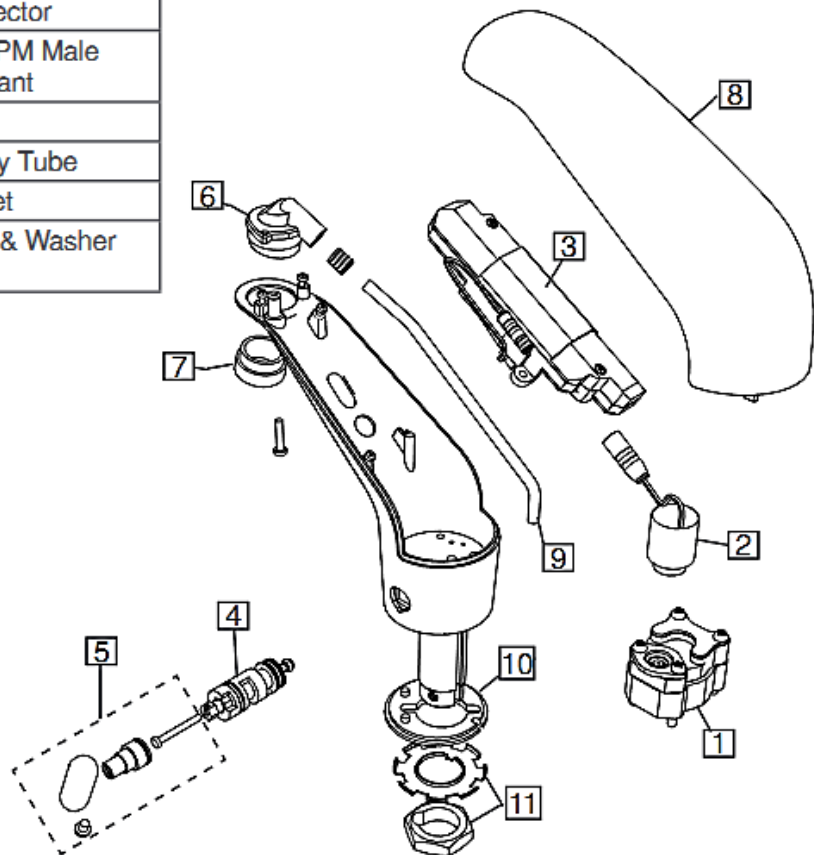
PROJECT		REF		REV	ITEM CODE	
LOCATION		DATE			PAGE	

## SANITARY WARE SPECIFICATION SHEET

### 5000EM Series

#### Sensor Operated Mixing Faucet Assembly Parts

No	Part Number	Description
1	HCE-004	Solenoid Module
2	HCE-019	Solenoid Coil
3	HCE-018A/B	Control Module A=AC, B=Battery
4	HCE-028	Temp. Adjuster Rod
5	HCE-029	Temp. Handle Assembly
6	HCE-006	Aerator Connector
7	HB-003AMVR	Aerator 0.5 GPM Male Vandal Resistant
8	HCE-014	Top Cover
9	HCE-016	Copper Supply Tube
10	HCE-022	Rubber Gasket
11	HCE-021	Mounting Nut & Washer Assembly



Note:

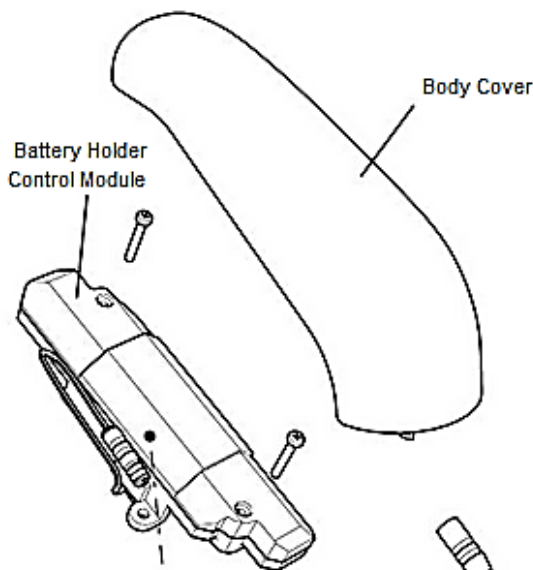
\* All information of the above is for the reference only. No prior notice is made if any changes.



PROJECT		REF		REV	ITEM CODE	
LOCATION		DATE			PAGE	

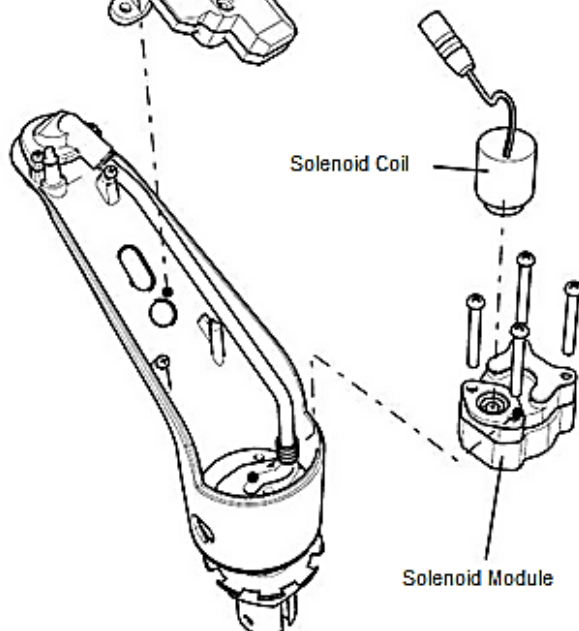
## SANITARY WARE SPECIFICATION SHEET

### HCE-194 Solenoid Valve Assembly Replacement



1. Remove faucet Body Cover.
2. Remove batteries (battery powered faucets) or unplug power adapter (AC powered faucets).
3. Loosen and remove the Battery Holder/Control Module, making sure to disconnect all connectors.
4. Unscrew and remove the Solenoid Coil from the Solenoid Valve Module.
5. Completely loosen the four screws securing the Solenoid Valve Module. List the Solenoid Valve Module from the faucet.
6. Install the new Solenoid Valve Module and reassemble the faucet in reverse order. **NOTE: When installing the Solenoid Coil to the Solenoid Valve Module, DO NOT over-tighten. Fit should be snug.**

### CONTROL MODULE (P.C. BOARD) REPLACEMENT



1. Remove faucet Body Cover.
2. Remove batteries (battery powered faucets) or unplug power adapter (AC powered faucets).
3. Unplug the Battery Holder/Control Module connector.
4. Loosen the two screws holding the Battery Holder/Control Module and remove it.
5. Install the new Battery Holder/Control Module ensuring the sensor eye is fitted correctly to the faucet body.

Note:

\* All information of the above is for the reference only. No prior notice is made if any changes.



水務署  
Water Supplies Department

總部 Headquarters  
香港灣仔告士打道七號入境事務大樓 48 樓  
48/F, Immigration Tower, 7 Gloucester Road, Wan Chai, Hong Kong

本署編號 : ( 6 ) in WSD 3321/2020 T/J(1595/2020)  
Our ref.  
來函編號 :  
Your ref.

電話 :  
Tel.  
傳真 : 2824 0578  
Fax.

10 February 2021



### Approval of "HYDROTEK" Sensor Taps (General Acceptance No. C20210134)

Your letters ref. 491/20, 560/20 and 600/20 dated 4 December 2020, 6 January 2021 and 20 January 2021 respectively refer.

Having considered the test report ref. RHCF026r2 issued on 19 January 2021 by Ideal Test Consultants Ltd., this Authority accepts that the fittings described below comply with, and their use when correctly installed does not contravene, the Waterworks Ordinance and Regulations.

**Name of Manufacturer:** Hydrotek Corporation  
**Country of Origin:** Taiwan, China  
**Brand:** Hydrotek  
**Details of Fitting:** 3/8" Deck mounted sensor tap  
**Model:** HB-5000EM and H-5000EM  
**Body Markings:** **Hydrotek**  
**Expiry Date:** 11 November 2025



This Authority hereby permits the use of the above fittings in fresh water plumbing systems subject to full adherence to Waterworks installation requirements. In particular, you are required to draw your customers' attention to the following requirement-

"A stop cock or gate valve must be installed at the upstream of the fittings for manual isolation of water supply." AND

"The main voltage operated sensor valve should comply with the electricity safety regulation for applications in bathroom, toilet etc."

A condition of this acceptance is that the fittings to be installed shall be replicas of the samples as certified by the testing agent mentioned above and without modifications. This acceptance may be withdrawn at any time if the standard of the fittings installed fails to meet that of the approved samples or if the fittings are found to be unsuitable for use in fresh water plumbing systems.

This acceptance is only applicable to the main body of the fittings, unless otherwise specified.

For the use of the fittings in any project, the General Acceptance Number of this letter must be quoted as a means of identification of acceptance of the fittings by this Authority.

Should you have any enquiries, please contact our Engineer Mr. Terry KUNG at tel. no. 3583 4086.

Yours faithfully,



(CHAN Chung-kun)

for Director of Water Supplies

Encl.

c.c.      WSD 3321/1/82 ] - without catalogue  
            ME/MC        ] - with soft copy only