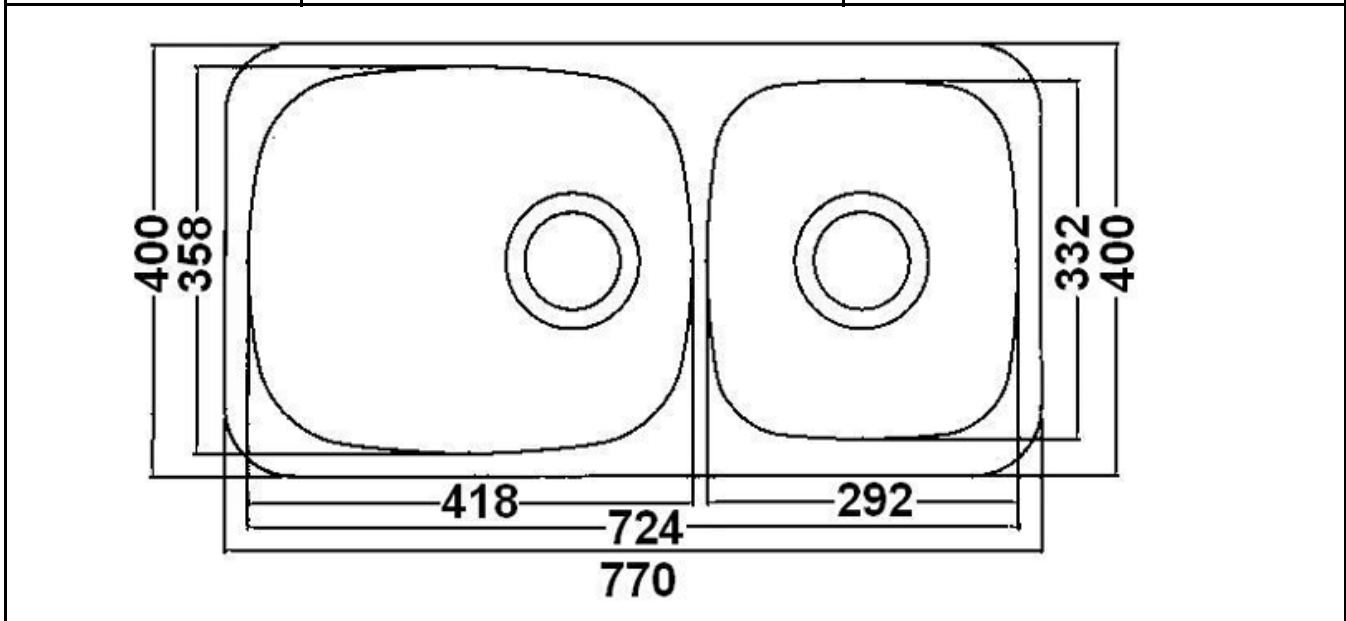




PROJECT		REF		REV	ITEM CODE	
LOCATION		DATE			PAGE	

SANITARY WARE SPECIFICATION SHEET

Item Descriptions	Global (PRC) Stainless steel double sink in flat rim type with waste fittings (16" x 31")	Illustration/ Drawing
Dimensions	L770 x W400 x H180 mm (Overall) L418 x W358 x H180 mm (Large) L292 x W332 x H180 mm (Small)	
Model	131	
Material	Stainless Steel 304	
Manufacturer	Global (PRC)	
Source	Ka Shing Enterprises (H.K) Limited Mr. Ivan Lau / Mr. GilmanYuen	
Contact Tel/Fax	(852) 2628-0661 / (852) 2490-2700	
E-mail Website	project@kashingehk.com www.kashingehk.com	



Note:

** All information of the above is for reference only. No prior notice is made if any changes.*