
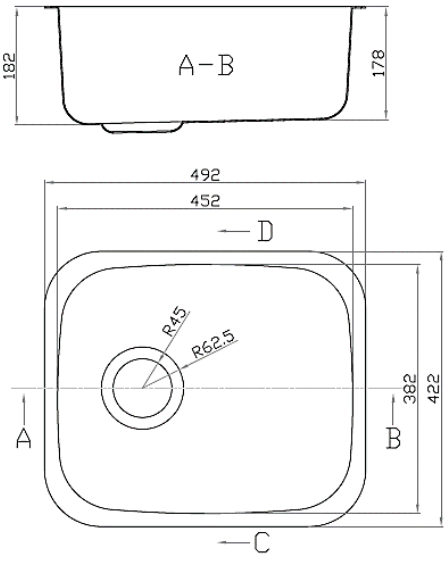




PROJECT		REF		REV	ITEM CODE	
LOCATION		DATE			PAGE	

SANITARY WARE SPECIFICATION SHEET

<p>Item Descriptions</p> <p>Dimensions</p> <p>Model</p> <p>Material</p> <p>Manufacturer</p> <p>Source</p> <p>Contact Tel/Fax</p> <p>E-mail</p> <p>Website</p>	<p>Idecor (PRC) Stainless steel undercounter sink</p> <p>452 x 382 x 178mm (Inner) 492 x 422 x 182mm (Outer)</p> <p>158</p> <p>Stainless Steel</p> <p>Idecor (PRC)</p> <p>Ka Shing Enterprises (H.K) Limited Mr. Ivan Lau / Mr. GilmanYuen</p> <p>(852) 2628-0661 / (852) 2490-2700 project@kashingehk.com www.kashingehk.com</p>	<p align="center">Illustration/ Drawing</p>  
---	---	---

Note:

** All information of the above is for reference only. No prior notice is made if any changes.*