
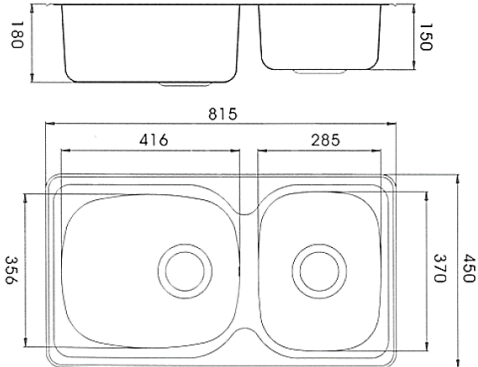




PROJECT		REF		REV	ITEM CODE	
LOCATION		DATE			PAGE	

## SANITARY WARE SPECIFICATION SHEET

<p>Item Descriptions</p> <p>Dimensions</p> <p>Model</p> <p>Material</p> <p>Manufacturer</p> <p>Source</p> <p>Contact Tel/Fax</p> <p>E-mail</p> <p>Website</p>	<p>Idecor (PRC) 304 Stainless steel double bowls insert sink with waste fittings and overflow hole</p> <p>L815 x W450 x H180 mm (Overall) L416 x W356 x H180 mm (Large) L285 x W370 x H150 mm (Small)</p> <p>E3512</p> <p>Stainless Steel 304</p> <p>Idecor (PRC)</p> <p>Ka Shing Enterprises (H.K) Limited Mr. Ivan Lau / Mr. GilmanYuen</p> <p>(852) 2628-0661 / (852) 2490-2700 project@kashingehk.com www.kashingehk.com</p>	<p>Illustration/ Drawing</p>  
<p><b>Product Detail :</b></p> <p>"Flat rim sinks"</p> <ul style="list-style-type: none"> <li>Model : E3512</li> <li>Size (mm) : 815 mm x 450 mm x 180 mm</li> <li>Size (inch) : 32" x 18" x 7"</li> <li>CUT-OUT (mm) : 788 mm x 425 mm</li> <li>304 Stainless steel double bowls sink</li> </ul>		

Note:

\* All information of the above is for reference only. No prior notice is made if any changes.