
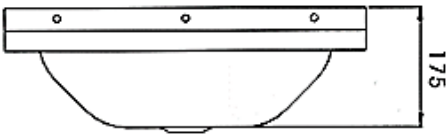
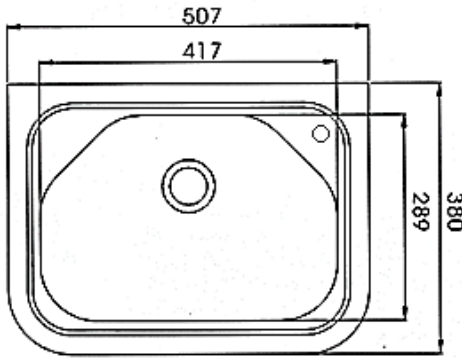




PROJECT		REF		REV	ITEM CODE	
LOCATION		DATE			PAGE	

SANITARY WARE SPECIFICATION SHEET

<p>Item Descriptions</p> <p>Dimensions</p> <p>Model</p> <p>Finish</p> <p>Manufacturer</p> <p>Source</p> <p>Contact Tel/Fax</p> <p>E-mail</p> <p>Website</p>	<p>Idecor (PRC) 304 Stainless steel wall hung single bowl sink with waste fittings and overflow hole</p> <p>L507 x W380 x H175 mm (Overall) L417 x W289 x H175 mm (Bowl)</p> <p>L1912</p> <p>Stainless Steel 304</p> <p>Idecor (PRC)</p> <p>Ka Shing Enterprises (H.K) Limited Mr. Ivan Lau / Mr. GilmanYuen</p> <p>(852) 2628-0661 / (852) 2490-2700 project@kashingehk.com www.kashingehk.com</p>	<p>Illustration/ Drawing</p>   
<p>Product Detail :</p> <ul style="list-style-type: none"> Model : L1912 Size (mm) : 507 mm x 380 mm x 175 mm Size (inch) : 15" x 20" x 6.8" 304 stainless steel single bowl 		

Note:

* All information of the above is for the reference only. No prior notice is made if any changes.