
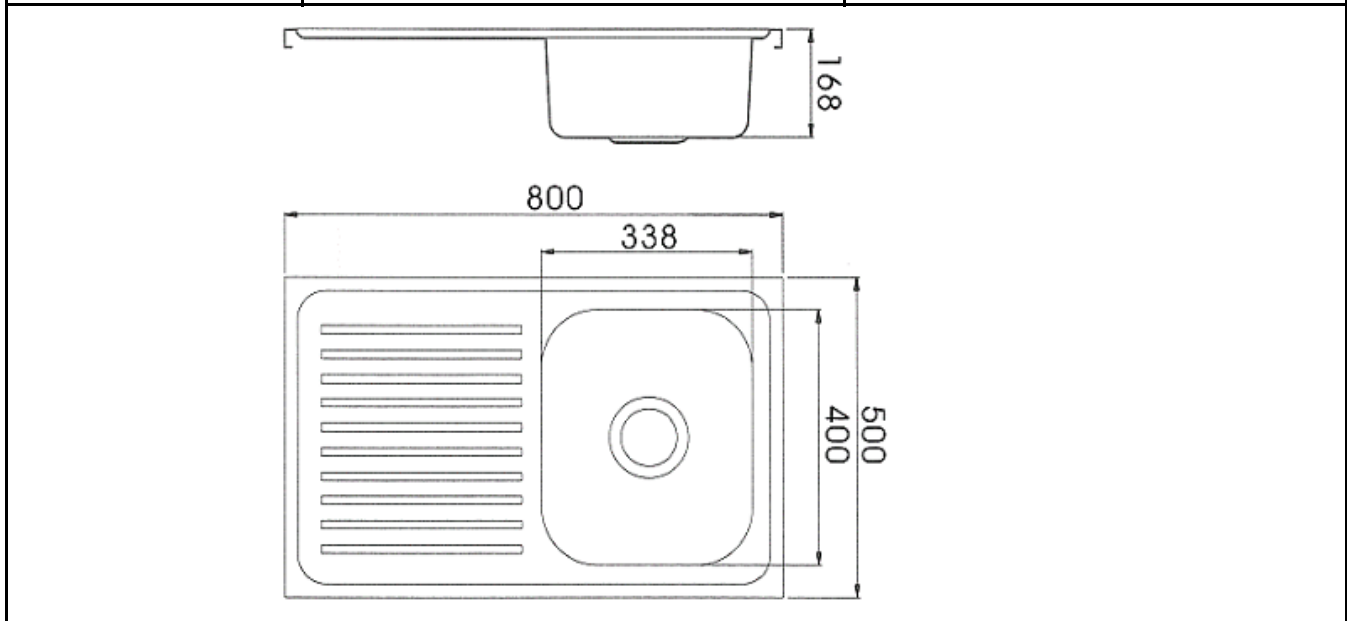




PROJECT		REF		REV	ITEM CODE	
LOCATION		DATE			PAGE	

## SANITARY WARE SPECIFICATION SHEET

Item Descriptions	Global (PRC) 304 Stainless steel single end bowl insert lay-on sink with waste fittings	Illustration/ Drawing  
Dimensions	L800 x W500 x H168 mm (Overall) L338 x W400 x H168 mm (Bowl)	
Model	L2012	
Material	Stainless Steel 304	
Manufacturer	Global (PRC)	
Source	Ka Shing Enterprises (H.K) Limited Mr. Ivan Lau / Mr. GilmanYuen	
Contact Tel/Fax	(852) 2628-0661 / (852) 2490-2700	
E-mail Website	project@kashingehk.com www.kashingehk.com	



Note:

*\* All information of the above is for reference only. No prior notice is made if any changes.*