
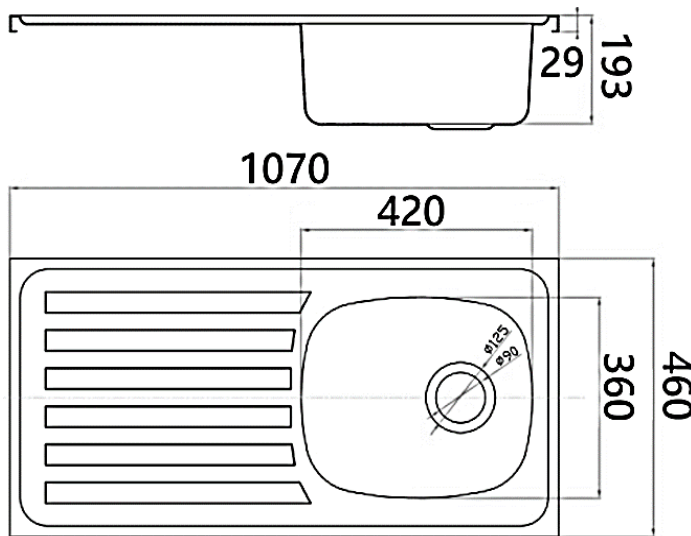




PROJECT		REF		REV	ITEM CODE	
LOCATION		DATE			PAGE	

SANITARY WARE SPECIFICATION SHEET

Item Descriptions	Global (PRC) 304 Stainless steel single end bowl insert lay-on sink with waste fittings	Illustration/ Drawing 
Dimensions	L1070 x W460 x H193 mm (Overall) L420 x W360 x H193 mm (Bowl)	
Model	L2513	
Material	Stainless Steel 304	
Manufacturer	Global (PRC)	
Source	Ka Shing Enterprises (H.K) Limited Mr. Ivan Lau / Mr. GilmanYuen	
Contact Tel/Fax	(852) 2628-0661 / (852) 2490-2700	
E-mail Website	project@kashingehk.com www.kashingehk.com	



Note:

** All information of the above is for reference only. No prior notice is made if any changes.*