
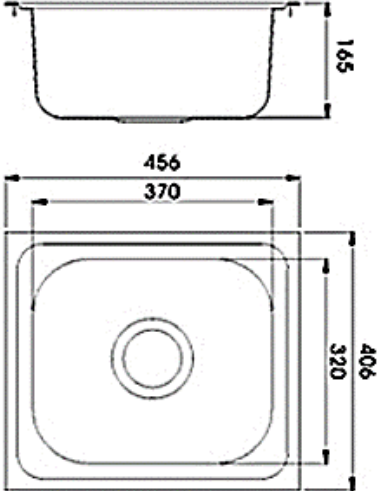




PROJECT		REF		REV	ITEM CODE	
LOCATION		DATE			PAGE	

**SANITARY WARE SPECIFICATION SHEET**

<p>Item Descriptions</p> <p>Dimensions</p> <p>Model</p> <p>Material</p> <p>Manufacturer</p> <p>Source</p> <p>Contact Tel/Fax</p> <p>E-mail</p> <p>Website</p>	<p>Idecor (PRC) 304 Stainless steel single sink bowl insert sink with waste fittings</p> <p>L456 x W406 x H165 mm (Overall) L370 x W320 x H165 mm (bowl)</p> <p>R1015</p> <p>Stainless Steel 304</p> <p>Idecor (PRC)</p> <p>Ka Shing Enterprises (H.K) Limited Mr. Ivan Lau / Mr. GilmanYuen</p> <p>(852) 2628-0661 / (852) 2490-2700 project@kashingehk.com www.kashingehk.com</p>	<p>Illustration/ Drawing</p>  
<p>Product Detail :</p> <p>"Insert sinks"</p> <ul style="list-style-type: none"> <li>·Model : R1015</li> <li>·Size (mm) : 456 mm x 406 mm x 165 mm</li> <li>·Size (inch) : 18" x 16" x 6.5"</li> <li>·CUT-OUT (mm) : 435 mm x 384 mm</li> <li>·304 Stainless steel single sink</li> </ul>		

Note:

\* All information of the above is for reference only. No prior notice is made if any changes.