
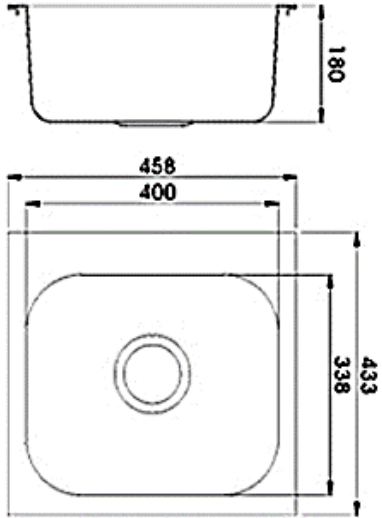




PROJECT		REF		REV	ITEM CODE	
LOCATION		DATE			PAGE	

SANITARY WARE SPECIFICATION SHEET

<p>Item Descriptions</p> <p>Dimensions</p> <p>Model</p> <p>Material</p> <p>Manufacturer</p> <p>Source</p> <p>Contact Tel/Fax</p> <p>E-mail</p> <p>Website</p>	<p>Idecor (PRC) 304 Stainless steel single sink bowl insert sink with waste fittings and overflow hole</p> <p>L458 x W433 x H180 mm (Overall) L400 x W338 x H180 mm (bowl)</p> <p>R1017</p> <p>Stainless Steel 304</p> <p>Idecor (PRC)</p> <p>Ka Shing Enterprises (H.K) Limited Mr. Ivan Lau / Mr. GilmanYuen</p> <p>(852) 2628-0661 / (852) 2490-2700 project@kashingehk.com www.kashingehk.com</p>	<p>Illustration/ Drawing</p>  
<p>Product Detail :</p> <p>"Insert sinks"</p> <p>Model : R1017</p> <p>Size (mm) : 458 mm x 433 mm x 180 mm</p> <p>Size (inch) : 18" x 17" x 7"</p> <p>CUT-OUT (mm) : 440 mm x 410 mm</p> <p>304 Stainless steel single sink</p>		

Note:

* All information of the above is for reference only. No prior notice is made if any changes.