
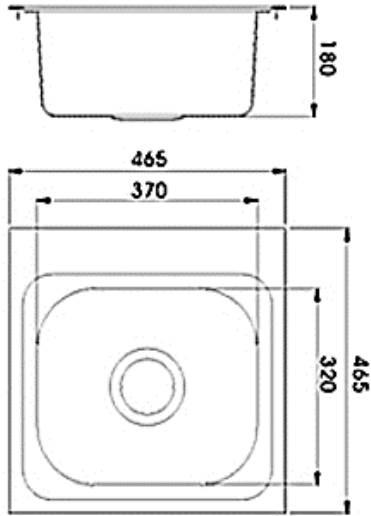




PROJECT		REF		REV	ITEM CODE	
LOCATION		DATE			PAGE	

SANITARY WARE SPECIFICATION SHEET

<p>Item Descriptions</p> <p>Dimensions</p> <p>Model</p> <p>Material</p> <p>Manufacturer</p> <p>Source</p> <p>Contact Tel/Fax</p> <p>E-mail</p> <p>Website</p>	<p>Idecor (PRC) 304 Stainless steel single sink bowl insert sink with waste fittings and overflow hole</p> <p>L465 x W465 x H180 mm (Overall) L370 x W320 x H180 mm (bowl)</p> <p>R1018</p> <p>Stainless Steel 304</p> <p>Idecor (PRC)</p> <p>Ka Shing Enterprises (H.K) Limited Mr. Ivan Lau / Mr. GilmanYuen</p> <p>(852) 2628-0661 / (852) 2490-2700 project@kashingehk.com www.kashingehk.com</p>	<p>Illustration/ Drawing</p>  
<p><u>Product Detail :</u></p> <p>"Insert sinks"</p> <p>Model : R1018 Size (mm) : 465 mm x 465 mm x 180 mm Size (inch) : 18" x 18" x 7" CUT-OUT (mm) : 446 mm x 446 mm 304 Stainless steel single sink</p>		

Note:

* All information of the above is for reference only. No prior notice is made if any changes.