
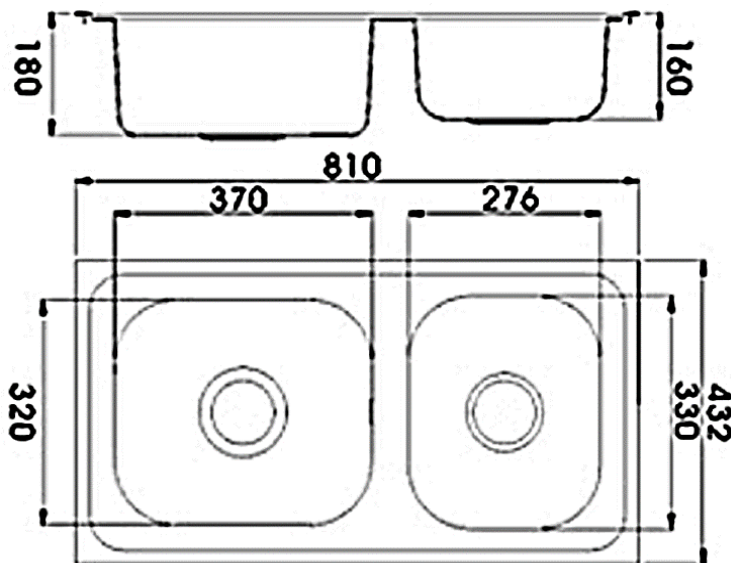




PROJECT		REF		REV	ITEM CODE	
LOCATION		DATE			PAGE	

SANITARY WARE SPECIFICATION SHEET

Item Descriptions	Idecor (PRC) 304 Stainless steel double bowls insert sink with waste fittings	Illustration/ Drawing 
Dimensions	L810 x W432 x H180 mm (Overall) L370 x W320 x H180 mm (Large) L276 x W330 x H160 mm (Small)	
Model	R3002	
Material	Stainless Steel 304	
Manufacturer	Idecor (PRC)	
Source	Ka Shing Enterprises (H.K) Limited Mr. Ivan Lau / Mr. GilmanYuen	
Contact Tel/Fax	(852) 2628-0661 / (852) 2490-2700	
E-mail	project@kashingehk.com	
Website	www.kashingehk.com	



iDECOR
Confidence Comes From The Outstanding Quality

全304不銹鋼材料生產
全線預設滿水孔
防倒汗水塗層及隔音綿功能

Note:

* All information of the above is for reference only. No prior notice is made if any changes.