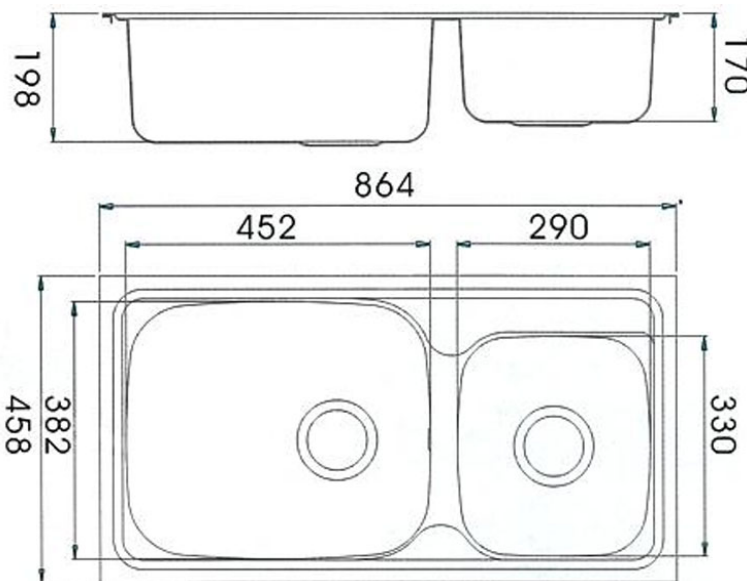




PROJECT		REF		REV	ITEM CODE	
LOCATION		DATE			PAGE	

## SANITARY WARE SPECIFICATION SHEET

Item Descriptions	Idecor (PRC) 304 Stainless steel double bowls insert sink with waste fittings and overflow hole	<p>Illustration/ Drawing</p> 
Dimensions	L864 x W458 x H198 mm (Overall) L452 x W382 x H198 mm (Large) L290 x W330 x H170 mm (Small)	
Model	R3513	
Material	Stainless Steel 304	
Manufacturer	Idecor (PRC)	
Source	Ka Shing Enterprises (H.K) Limited Mr. Ivan Lau / Mr. GilmanYuen	
Contact Tel/Fax	(852) 2628-0661 / (852) 2490-2700	
E-mail	project@kashingehk.com	
Website	www.kashingehk.com	



**iDECOR**  
Confidence Comes From The Outstanding Quality

全304不銹鋼材料生產  
全線預設滿水孔  
防倒汗水塗層及隔音綿功能

Note:

\* All information of the above is for reference only. No prior notice is made if any changes.