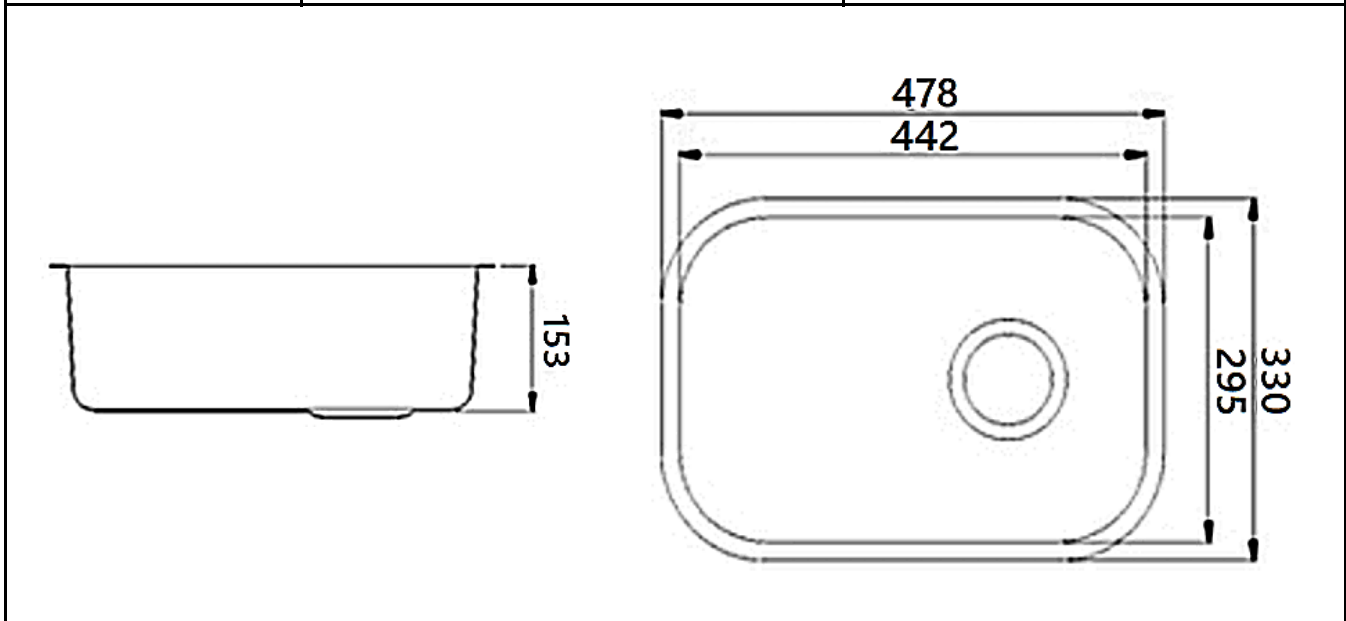




| | | | | | | |
|----------|--|------|--|-----|-----------|--|
| PROJECT | | REF | | REV | ITEM CODE | |
| LOCATION | | DATE | | | PAGE | |

SANITARY WARE SPECIFICATION SHEET

| | | |
|-------------------|--|---|
| Item Descriptions | Global (PRC) 304 Stainless steel single bowl insert sink with waste fittings | <p align="center">Illustration/ Drawing</p> |
| Dimensions | L478 x W330 x H153 mm (Overall) L442 x W295 x H153 mm (Bowl) | |
| Model | U1005 | |
| Material | Stainless Steel 304 | |
| Manufacturer | Global (PRC) | |
| Source | Ka Shing Enterprises (H.K) Limited Mr. Ivan Lau / Mr. GilmanYuen | |
| Contact Tel/Fax | (852) 2628-0661 / (852) 2490-2700 | |
| E-mail | project@kashingehk.com | |
| Website | www.kashingehk.com | |



Note:

** All information of the above is for reference only. No prior notice is made if any changes.*