
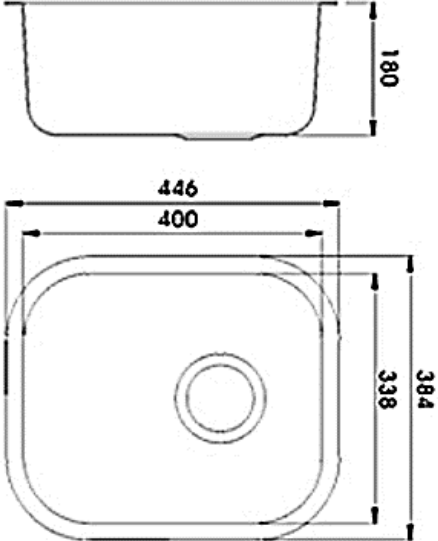




PROJECT		REF		REV	ITEM CODE	
LOCATION		DATE			PAGE	

## SANITARY WARE SPECIFICATION SHEET

<p>Item Descriptions</p> <p>Dimensions</p> <p>Model</p> <p>Material</p> <p>Manufacturer</p> <p>Source</p> <p>Contact Tel/Fax</p> <p>E-mail</p> <p>Website</p>	<p>Global (PRC) 304 Stainless steel single bowl insert sink with waste fittings</p> <p>L446 x W384 x H180 mm (Overall) L400 x W338 x H180 mm (Bowl)</p> <p>U1014</p> <p>Stainless Steel 304</p> <p>Idecor (PRC)</p> <p>Ka Shing Enterprises (H.K) Limited Mr. Ivan Lau / Mr. GilmanYuen</p> <p>(852) 2628-0661 / (852) 2490-2700 project@kashingehk.com www.kashingehk.com</p>	<p>Illustration/ Drawing</p>  
<p><u>Product Detail :</u></p> <p>Model : U1014 Size (mm) : 446 mm x 384 mm x 180 mm Size (unch) : 15" x 17" x 7" Cut-out (mm) : 407 mm x 346 mm 304 stainless steel single bowl</p>		

Note: