

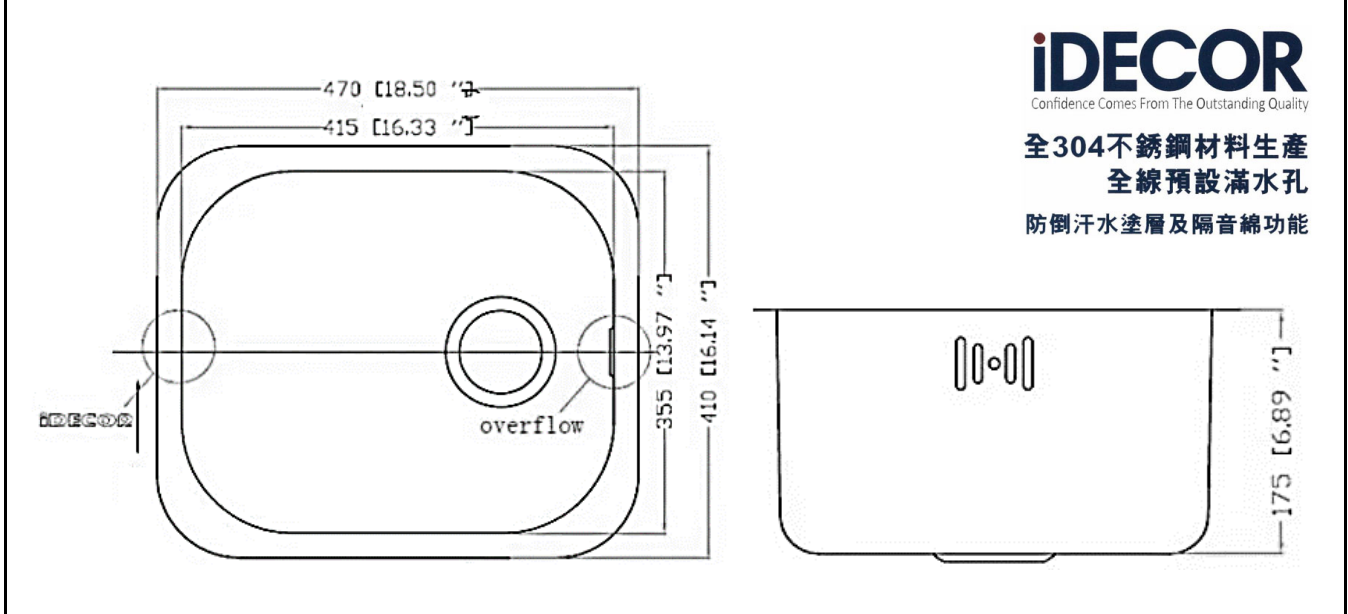


PROJECT		REF		REV	ITEM CODE	
LOCATION		DATE			PAGE	

SANITARY WARE SPECIFICATION SHEET

Item Descriptions	Idecor (PRC) 1.2mm thickness 304 Stainless Steel single bowl insert sink with waste fittings and overhole hole (Round Corners)	Illustration/ Drawing	
Dimensions	L455 x W406 x H220 mm (Overall) L403 x W355 x H220 mm (Bowl)		
Model	U1555		
Material	Stainless Steel 304		
Manufacturer	Idecor (PRC)		
Source	Ka Shing Enterprises (H.K) Limited Mr. Ivan Lau / Mr. GilmanYuen		
Contact Tel/Fax	(852) 2628-0661 / (852) 2490-2700		
E-mail	project@kashingehk.com		
Website	www.kashingehk.com		

Model : U1555
 1.2mm
 16" x 18" x 9"
 406mm x 455mm x 220mm



Note:

* All information of the above is for reference only. No prior notice is made if any changes.