
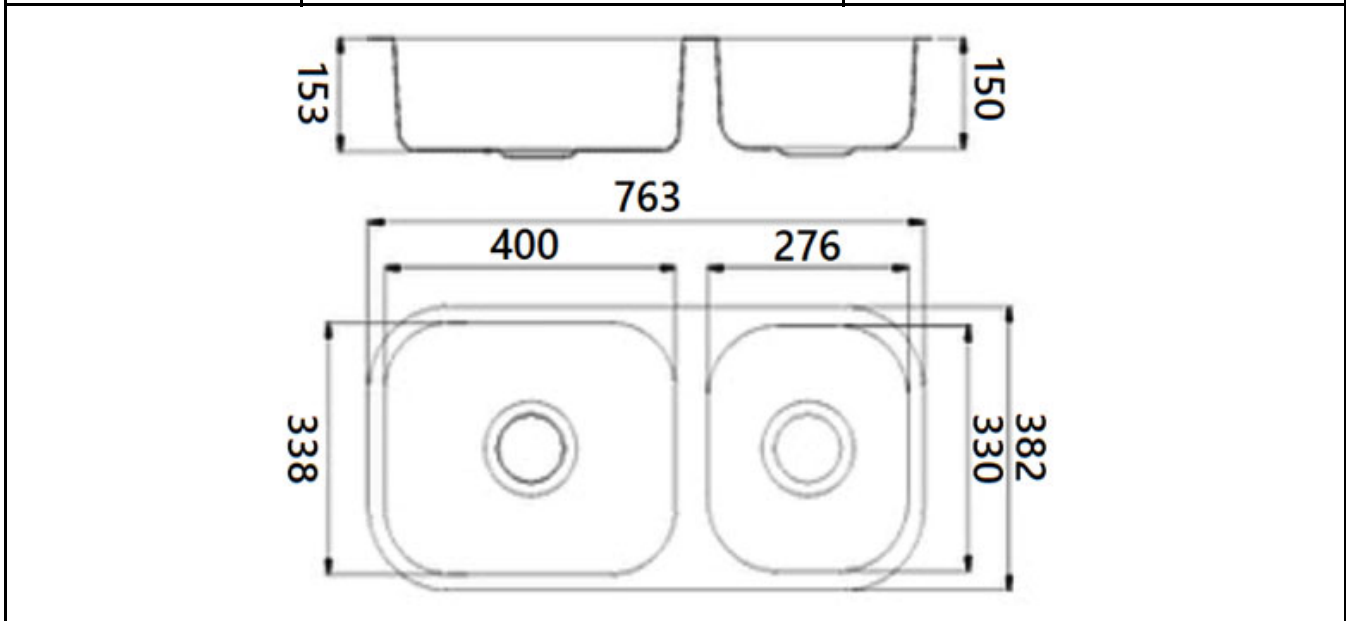




PROJECT		REF		REV	ITEM CODE	
LOCATION		DATE			PAGE	

SANITARY WARE SPECIFICATION SHEET

Item Descriptions	Global (PRC) 304 Stainless Steel double sink bowl insert sink with waste fittings	<p align="center">Illustration/ Drawing</p> 
Dimensions	L763 x W382 x H153 mm (Overall) L400 x W338 x H153 mm (Large) L276 x W330 x H150 mm (Small)	
Model	U3029	
Material	Stainless Steel 304	
Manufacturer	Global (PRC)	
Source	Ka Shing Enterprises (H.K) Limited Mr. Ivan Lau / Mr. GilmanYuen	
Contact Tel/Fax	(852) 2628-0661 / (852) 2490-2700	
E-mail Website	project@kashingehk.com www.kashingehk.com	



Note:

** All information of the above is for reference only. No prior notice is made if any changes.*