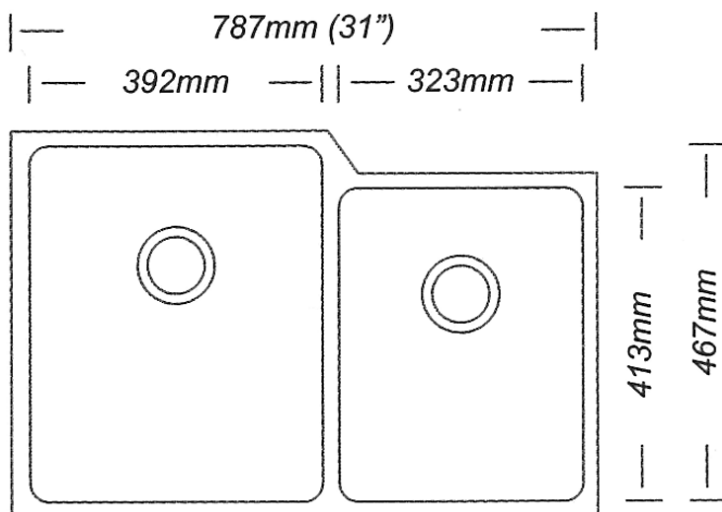




| | | | | | | |
|----------|--|------|--|-----|-----------|--|
| PROJECT | | REF | | REV | ITEM CODE | |
| LOCATION | | DATE | | | PAGE | |

SANITARY WARE SPECIFICATION SHEET

| | | |
|-------------------|---|---|
| Item Descriptions | Idecor (PRC) 304 Stainless Steel double sink bowl insert sink with waste fittings and overhole hole (Round Corners) | <p>Illustration/ Drawing</p> <p>Model : U3044</p> <p>20" x 31" x 9" 518mm x 787mm x 220mm</p> <p>1.2mm</p> |
| Dimensions | L787 x W518 x H220 mm (Overall) L392 x W467 x H220 mm (Large) L323 x W413 x H220 mm (Small) | |
| Model | U3044 | |
| Material | Stainless Steel 304 | |
| Manufacturer | Idecor (PRC) | |
| Source | Ka Shing Enterprises (H.K) Limited Mr. Ivan Lau / Mr. GilmanYuen | |
| Contact Tel/Fax | (852) 2628-0661 / (852) 2490-2700 | |
| E-mail | project@kashingehk.com | |
| Website | www.kashingehk.com | |



iDECOR
Confidence Comes From The Outstanding Quality

全304不銹鋼材料生產
全線預設滿水孔
防倒汗水塗層及隔音綿功能

Note:

* All information of the above is for reference only. No prior notice is made if any changes.