
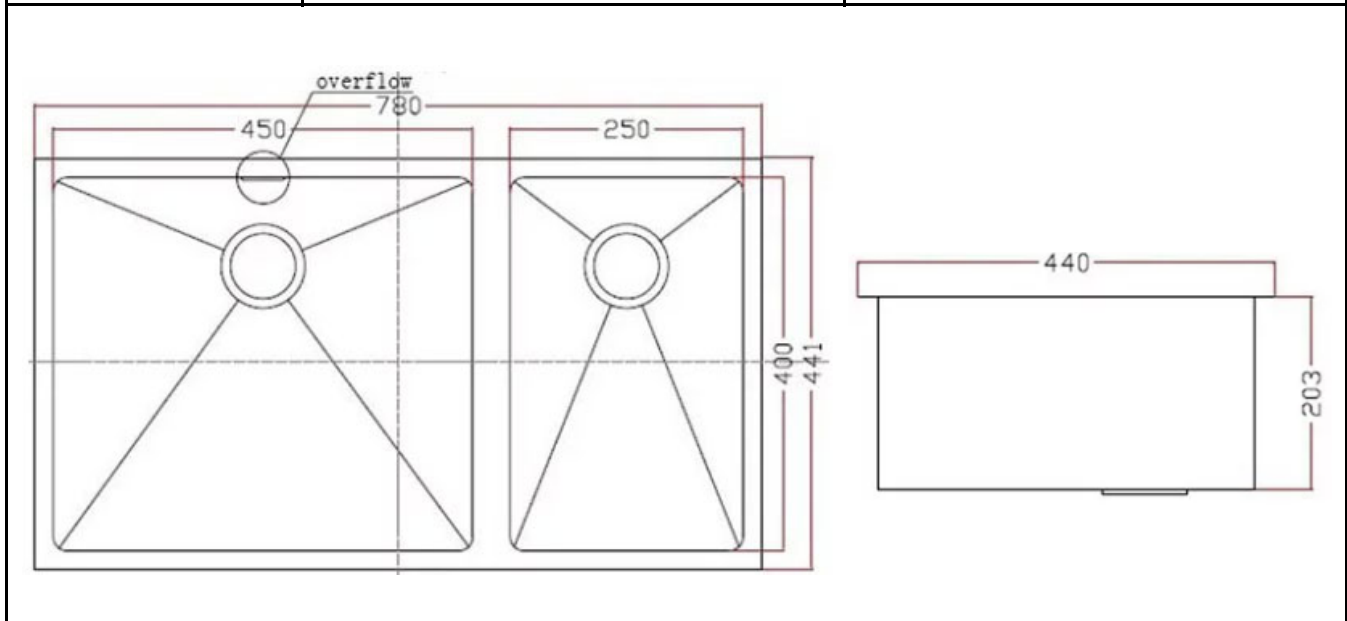




| | | | | | | |
|----------|--|------|--|-----|-----------|--|
| PROJECT | | REF | | REV | ITEM CODE | |
| LOCATION | | DATE | | | PAGE | |

SANITARY WARE SPECIFICATION SHEET

| | | |
|-------------------|---|--|
| Item Descriptions | Idecor (PRC) 1.2mm thickness 304 Stainless Steel double sink bowl insert sink with waste fittings and overhole hole (Round Corners) | <p>Illustration/ Drawing</p>  |
| Dimensions | L780 x W440 x H203mm (Overall) L450 x W400 x H200mm (Large) L250 x W400 x H200mm (Small) | |
| Model | U3143 | |
| Material | Stainless Steel 304 | |
| Manufacturer | Idecor (PRC) | |
| Source | Ka Shing Enterprises (H.K) Limited Mr. Ivan Lau / Mr. GilmanYuen | |
| Contact Tel/Fax | (852) 2628-0661 / (852) 2490-2700 | |
| E-mail | project@kashingehk.com | |
| Website | www.kashingehk.com | |



Note:

* All information of the above is for reference only. No prior notice is made if any changes.