
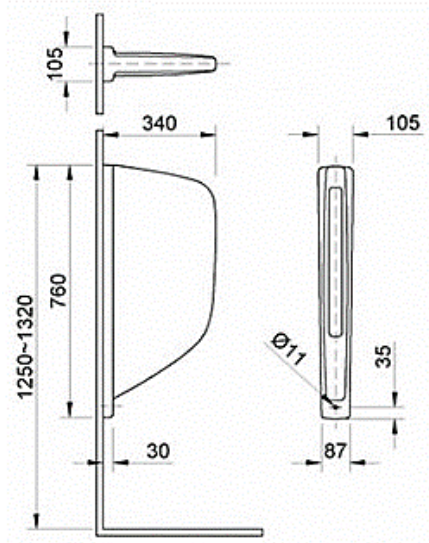




PROJECT		REF		REV	ITEM CODE	
LOCATION		DATE			PAGE	

SANITARY WARE SPECIFICATION SHEET

Item Descriptions	Inax (Japan) Vitreous china urinal partition	Illustration/ Drawing
Dimensions	W340 x D105 x H760mm	
Model	P1/BW1	
Finish	Vitreous China	
Brand	Inax (Japan)	
Country of Origin	Vietnam	
Source	Ka Shing Enterprises (H.K) Limited Mr. Ivan Lau / Mr. GilmanYuen	
Contact Tel/Fax	(852) 2628-0661 / (852) 2490-2700	
E-mail	project@kashingehk.com	
Website	www.kashingehk.com	



Specifications

Product name	Uniral wall-hung partition for male toilet
Product code	P-1
Specification	- Porcelain partition - To seperate urinrals in male toilet. Ensure privacy and comfort

Note:

* All information of the above is for the reference only. No prior notice is made if any changes.



PROJECT		REF		REV	ITEM CODE	
LOCATION		DATE			PAGE	

SANITARY WARE SPECIFICATION SHEET

Installation method

1 Locating the partition

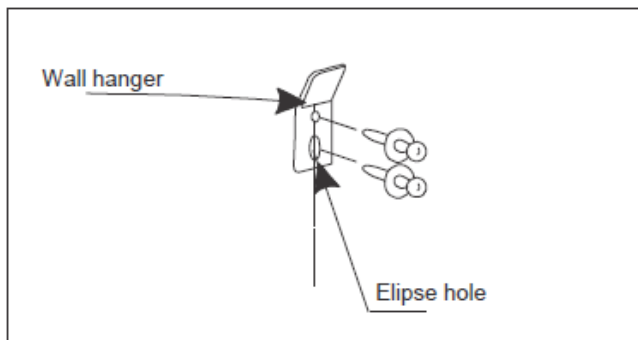
Locate the partition so as to suit the standard installation layout.

Note:

+ Customers are required to keep this instruction for future reference.

2 Mounting the partition's wall hanger

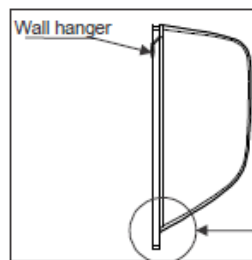
1. Temporarily mounting the wall hanger to the wall, for dimensions refer to the layout.



Notes:

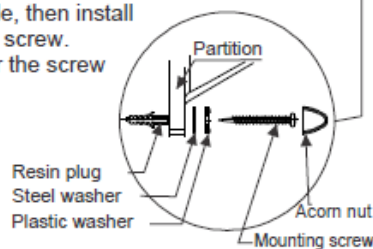
- Keep the wall hanger straight.
- In case of concrete wall, please be self-equipped with resin plugs

2. Hanging the partition onto the wall hanger.



3. Installing the mounting screw to fix the partition:

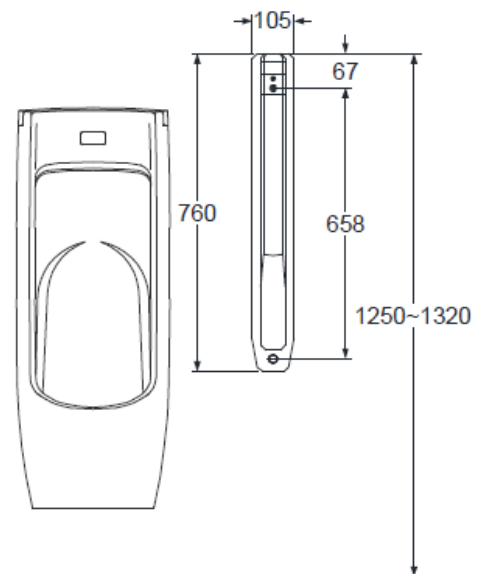
1. Positioning the drilling hole, then install the resin plug and mounting screw.
Use an acorn nut to cover the screw



Notes:

- + Tighten the screws equally both up and down positions
- + Do not over tighten as it may break the partition

Layout drawing



Product kit

TT	Description	Product code	Qty
1	Partition	P-1	01
2	Mounting screw	KF-30DV(P1)	01
3	Wall hanger	A-U116V-1(P1)	01

Cleaning and care

Please take notice when cleaning the product

- Use toilet cleaners specialized for porcelain products in conjunction with a soft toilet brush (do not use hard brush or rough paper). Risk of scratches can be caused.

- Mop brushed area with water and use cloth to wipe out the surface carefully.

Safety cautions

- Before installation, please check the product again for cracks or breaks during delivery
- Any cracks may cause injury, damage, break or dirty to floor.
- Do not over tighten bolts. Porcelain is subject to cracking, which may cause injury to installing person or users.
- Be sure to test operation after installation has been completed.
- Keep this instruction for future reference, as it contains important information.

Note: