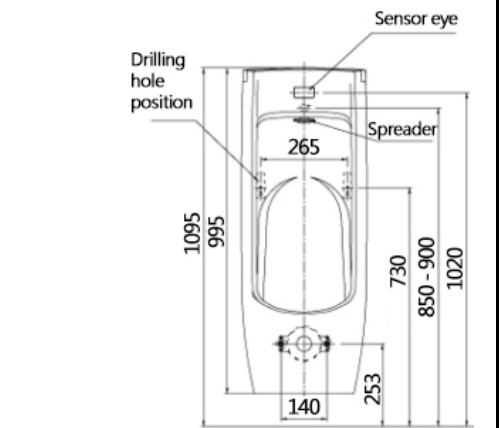
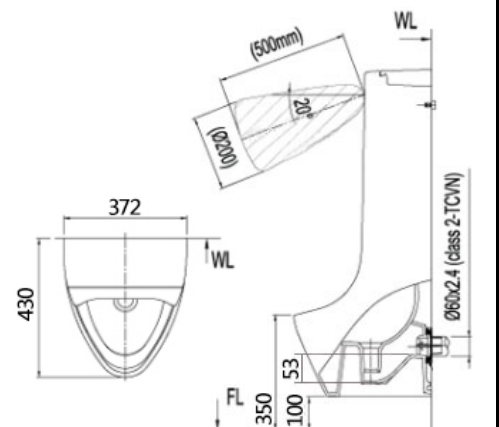




PROJECT		REF		REV	ITEM CODE	
LOCATION		DATE			PAGE	

**SANITARY WARE SPECIFICATION SHEET**

Item Descriptions	Inax (Japan) Vitreous china wall hung integrated sensor urinal with full plastic pipeline for sea water; Aqua Ceramic against stains and build-up of bacteria; built-in 1/2" washable inlet plastic wired filter and 1/2" plastic angle valve; WSD approved "EMCA" sensor flush valve ref: EM9200.059+58.8637.1 ; 6V DC supply ; 53mm water seal complied with BD CAP.123 clause 24 ; tested on BS 5520:1977, BS 3402:1969, BS EN 13407:2015, HTM 64:2006, BS 3402 & BS EN 274-1:2002 ; test report J27789A & J27789B, J27789C & J27789D ; flush volume 1.2 litres/cycle in WELS Grade 1 ; Registration No. IU 19-0028
Dimensions	L420 x W372 x H995 mm
Model	ASU-500VS
Finish	Vitreous China
Brand	Inax (Japan)
Country of Origin	Vietnam
Source	Ka Shing Enterprises (H.K) Limited Mr. Ivan Lau / Mr. Gilman Yuen
Contact Tel/Fax	(852) 2628-0661 / (852) 2490-2700
E-mail	project@kashingehk.com
Website	www.kashingehk.com



**Specification**

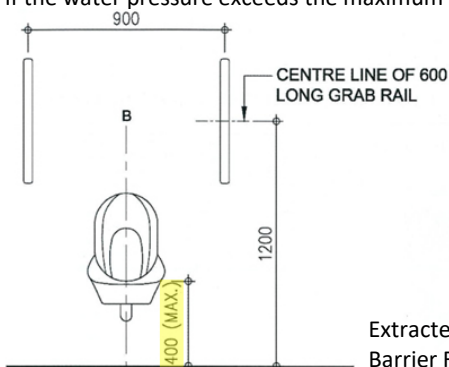
**Product:** Elementary wall for the men's room

**Characteristic product:**

- Primary coronary RIM format exhaust cleaning
- Automatic drain valve profile
- Induction Range 700-900 mm
- 0.070.1 Mpa: Pressure recommended use
- 0.10.75 Mpa: Adjust the valve block towards paste

**Water pressure:**

- If the water pressure is lower than the minimum pressure, flow not strong enough to discharge water wash comfortable cottage.
- If the water pressure exceeds the maximum pressure that can cause damage.



Extracted From Design Manual:  
Barrier Free Access 2008 (2021 Edition)



\* All information of the above is for the reference only. No prior notice is made if any changes.



PROJECT		REF		REV	ITEM CODE	
LOCATION		DATE			PAGE	

## SANITARY WARE SPECIFICATION SHEET

### AQUA CERAMIC 100 Years of Clean



AQUACERAMIC – prevent scratch marks, marks from waste, water scale stains and the build-up of bacteria.

#### ANTI-STAIN TECHNOLOGY



Less Dirt Stains. Less Water Stains.

This award-winning super-hydrophilic technology prevents dirt and dark ring stains from sticking to ceramic surfaces. In fact, dirt glides off the surface effortlessly as Aqua Ceramic enables water to penetrate between the contaminants and the toilet surface, effectively lifting off that waste with every flush.

AQUA CERAMIC is the first material in the world that is able to address the four main issues that affect the cleanliness of toilets: scuffing and scratching, marks from waste, stains caused by prolonged exposure to hard water, and the build-up of bacteria.

The technology incorporates super-hydrophilic performance in the surface of the ceramic, which permits the rinse water to permeate beneath any waste that may have become attached to the ceramic. And as the stain relinquishes its hold, the water simply lifts it and flushes it away.



Water scale stains



Marks from Waste



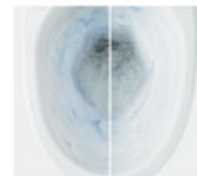
Dirt is applied to the surface

Surface undergoes flushing

After flushing



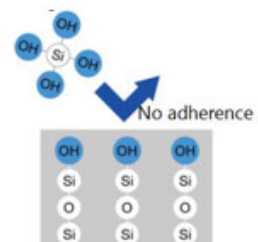
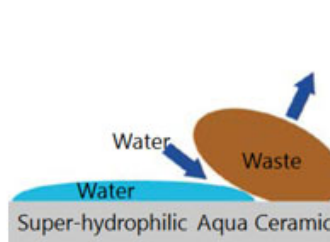
Conventional ceramic AQUA CERAMIC



Conventional ceramic AQUA CERAMIC



Conventional ceramic AQUA CERAMIC



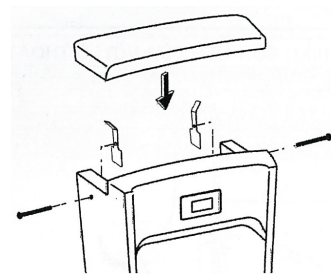
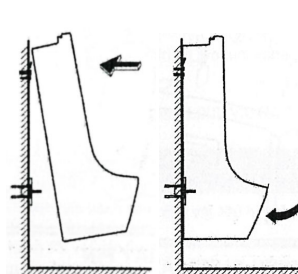
AQUA CERAMIC



AQUA CERAMIC



AQUA CERAMIC



Note:



\* All information of the above is for the reference only. No prior notice is made if any changes.

註冊號碼 (Registration No.):

1U 19-0028



自願參與用水效益標籤計劃 - 小便器用具  
Voluntary Water Efficiency Labelling Scheme - Urinal Equipment



*Certificate of* 註冊證書  
*Registration*

茲證明  
This is to certify that

將下列小便器用具在本計劃內註冊：  
has registered the following urinal equipment under this scheme:

牌子 / Brand	:	EMCA
型號 / Model	:	EM9200.059+58.8637.1
種類 / Category	:	1
原產地 / Country or Region Origin	:	China

在用水效益標籤上展示的標誌 <i>Symbolic Presentation on the Water Efficiency Label</i>	:		滴水點 <i>Water droplet(s)</i>
用水效益級別 <i>Water Efficiency Grade</i>	:	1	
沖水量 <i>Water Flush Volume</i>	:	1.2	公升/循環 <i>litres/cycle</i>

簽發日期：  
Date of Issue: 12 April 2019

 水務署  
Water Supplies Department



水務署署長(張業駒代行)  
for Director of Water Supplies

上述小便器用具具有智能功能，並且能達至額外節省用水。  
The above urinal equipment is operated with a smart demand operation to achieve additional water saving.



水務署  
Water Supplies Department

總部 Headquarters  
香港灣仔告士打道七號入境事務大樓 48 樓  
48/F, Immigration Tower, 7 Gloucester Road, Wan Chai, Hong Kong

本署檔號 : (2) in WSD 3321/2021 T/J(1004/2021)  
Our ref.  
來函檔號 :  
Your ref.

電話 :  
Tel.  
傳真 : 2824 0578  
Fax.



30 August 2021

Dear Sir,

**Approval of "EMCA" Sensor Flush Valve  
(General Acceptance No. C20210992F)**

Your letter ref. L032/2021 dated 22 June 2021 refers.

Having considered the test report ref. J26549 issued on 18 June 2021 by Nutek Systems (HK) Limited, this Authority accepts that the fitting described below complies with, and its use when correctly installed does not contravene, the Waterworks Ordinance and Regulations.

**Name of Manufacturer:** Jiangmen LIXIL AS Sanitary Fitting Manufacturing Co Ltd

**Country of Origin:** the Mainland of China

**Brand:** EMCA

**Details of Fitting:** 1/2" Sensor flush valve for urinal

**Model:** EM9200.059

**Body Markings:** rpe

**Expiry Date:** 30 May 2026

**Proviso:** As the fitting has not been tested for use in contact with water intended for human consumption, the fitting can only be used in flushing water plumbing system.

This Authority hereby permits the use of the above fitting in flushing water plumbing systems subject to full adherence to Waterworks installation requirements. In particular, you are required to draw your customers' attention to the following requirement-

"Installation of filter before flushing valve is required. Without the filter, the flushing valve is liable to leak. The installed filter need frequent inspection and cleaning to maintain flushing supply. Normally only public toilets with good management system for maintenance would be considered."

"A stop cock or gate valve must be installed at the upstream of the fitting for manual isolation of water supply."

"The design flushing volume of the flushing valve should be compatible with the toilet bowl to ensure that effective clearance can be achieved by a single flush of water."

"Flushing valve should be used within the range of working pressures specified by the manufacturer." AND

"Installation of electronic opening and closing sanitary tapware should also comply with the requirements of Electrical & Mechanical Services Department."

A condition of this acceptance is that the fitting to be installed shall be replicas of the sample as certified by the testing agent mentioned above and without modifications. This acceptance may be withdrawn at any time if the standard of the fitting installed fails to meet that of the approved sample or if the fitting is found to be unsuitable for use in flushing water plumbing systems.

For the use of the fitting in any project, the General Acceptance Number of this letter must be quoted as a means of identification of acceptance of the fitting by this Authority.

Should you have any enquiries, please contact our Engineer Mr. Terry KUNG at tel. no. 3583 4086.

Yours faithfully,



(Roger WONG)  
for Director of Water Supplies

Encl.

c.c. WSD 3321/1/82 ] - without catalogue  
ME/MC ] - with soft copy only



# Ka Shing Enterprise (H.K.) Ltd.

ROOM 1706 NEW TERRITORIES TSUEN WAN HO LIK CENTRE, 66A SHA TSUI ROAD


Tel:26280661 Fax: 24902700

Email: project@kashingehk.com

Website: www.kashingehk.com

PROJECT		REF		REV	ITEM CODE	
LOCATION		DATE			PAGE	

## SANITARY WARE SPECIFICATION SHEET

Item Descriptions	QEST (USA) 13mm plastic angle valve with riser pipe 1/2" Female threaded for sea water use	Illustration/ Drawing 
Model	QV302/12C	
Material	Plastic	
Manufacturer	QEST (USA)	
Source	Ka Shing Enterprises (H.K) Limited Mr. Ivan Lau / Mr. Gilman Yuen	
Contact Tel/Fax	(852) 2628-0661 / (852) 2490-2700	
E-mail	project@kashingehk.com	
Website	www.kashingehk.com	

Note: The color of the supply pipe may be varied without the prior notice.

\* All information of the above is for the reference only. No prior notice is made if any changes.



水務署  
Water Supplies Department

總部 Headquarters  
香港灣仔告士打道七號入境事務大樓 48 樓  
48/F, Immigration Tower, 7 Gloucester Road, Wan Chai, Hong Kong

本署檔號 : (3) in WSD 3321/2020 T/J(1114/2020)  
Our ref.  
來函檔號 :  
Your ref.

電話 :  
Tel.  
傳真 : 2824 0578  
Fax.

19 November 2020



**Approval of "QEST" Angle Valve  
(General Acceptance No. C20201033F)**

Your letter ref. SL20200813-1 dated 13 August 2020 and subsequent clarification by email on 20 October 2020 refer.

Having considered the test report ref. J25511 issued on 10 August 2020 by Nutek Systems (HK) Limited, this Authority accepts that the fitting described below complies with, and its use when correctly installed does not contravene, the Waterworks Ordinance and Regulations.

**Name of Manufacturer:** Zurn Industries LLC  
**Country of Origin:** USA  
**Brand:** QEST  
**Details of Fitting:** 1/2" Plastic angle valve  
**Model:** QV302  
**Body Markings:** QEST  
**Expiry Date:** 3 August 2025





**Proviso:** As the fitting has not been tested for use in contact with water intended for human consumption, the fitting can only be used in flushing water plumbing system.

This Authority hereby permits the use of the above fitting in flushing water plumbing systems subject to full adherence to Waterworks installation requirements.

A condition of this acceptance is that the fitting to be installed shall be replicas of the sample as certified by the testing agent mentioned above and without modifications. This acceptance may be withdrawn at any time if the standard of the fitting installed fails to meet that of the approved sample or if the fitting is found to be unsuitable for use in flushing water plumbing systems.

For the use of the fitting in any project, the General Acceptance Number of this letter must be quoted as a means of identification of acceptance of the fitting by this Authority.

Should you have any enquiries, please contact our Engineer Mr. Terry KUNG at tel. no. 3583 4086.

Yours faithfully,



(CHAN Chung-kun)

for Director of Water Supplies

Encl.

c.c. WSD 3321/1/82 ] - without catalogue  
ME/MC ] - with soft copy only