
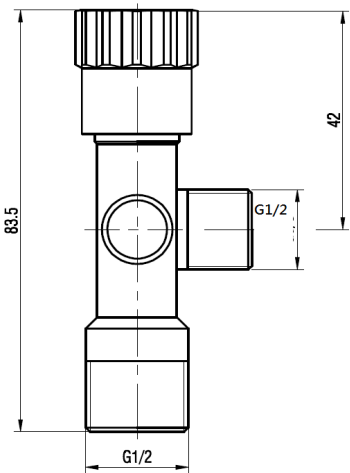




PROJECT		REF		REV	ITEM CODE	
LOCATION		DATE			PAGE	

### SANITARY WARE SPECIFICATION SHEET

Item Descriptions	Kita (PRC) 1/2" x 1/2" x 1/2" Copper alloy angle valve complies with: BS EN 200: 2008; BS EN 12164: 2016 & AS/NZS 4020: 2005 AS/NZS 4020: 2005: App. H ;test report J24164r2	Illustration/ Drawing
Model	CP-22A	  
Finish	Chrome Plated	
Material	Brass	
Manufacturer	Kita	
Source	Ka Shing Enterprises (H.K) Limited Mr. Ivan Lau / Mr. GilmanYuen	
Contact Tel/Fax	(852) 2628-0661 / (852) 2490-2700	
E-mail	project@kashingehk.com	
Website	www.kashingehk.com	

Note:

\* All information of the above is for the reference only. No prior notice is made if any changes.



水務署  
Water Supplies Department

總部 Headquarters

香港灣仔告士打道七號入境事務大樓 48 樓

48/F, Immigration Tower, 7 Gloucester Road, Wan Chai, Hong Kong

本署檔號 : (7) in WSD 3321/19 T/J(741/2019)  
Our ref. :  
來函檔號 :  
Your ref. :

電話 :  
Tel. :  
傳真 : 2824 0578  
Fax. :

20 December 2019

Ka Shing Enterprises (HK) Ltd  
Unit A, 3/F., 30-38 Tsuen King Circuit,  
Waylee Ind. Centre, Tsuen Wan,  
N.T., Hong Kong

(Attn.: Mr Ivan LAU)

Dear Sir,



**Approval of "KITA" Angle Valve  
(General Acceptance No. C20190619)**

Your letter dated 23 July 2019 and subsequent submissions received by this department up to 23 November 2019 refer.

Having considered the test report ref. J24164r2 issued on 15 November 2019 by Nutek System (HK) Limited, this Authority accepts that the fitting described below complies with, and its use when correctly installed does not contravene, the Waterworks Ordinance and Regulations.

**Name of Manufacturer:** 廣東省鶴山市址山東溪開發區江毅水暖廠  
**Country of Origin:** the Mainland of China  
**Brand:** Kita  
**Details of Fitting:** 1/2" x 1/2" x 1/2" Copper alloy angle valve  
**Model:** CP-22A  
**Body Markings:** **KITA**  
**Expiry Date:** 5 May 2024



This Authority hereby permits the use of the above fitting in fresh water plumbing systems subject to full adherence to Waterworks installation requirements.

A condition of this acceptance is that the fitting to be installed shall be replicas of the sample as certified by the testing agent mentioned above and without modifications. This acceptance may be withdrawn at any time if the standard of the fitting installed fails to meet that of the approved sample or if the fitting is found to be unsuitable for use in fresh water plumbing systems.

This acceptance is only applicable to the main body of the fitting, unless otherwise specified.

For the use of the fitting in any project, the General Acceptance Number of this letter must be quoted as a means of identification of acceptance of the fitting by this Authority.

Should you have any enquiries, please contact our Engineer Mr. Terry KUNG at tel. no. 3583 4086.

Yours faithfully,



(CHAN Chung-kun)

for Director of Water Supplies

Encl.

c.c.      WSD 3321/1/82    ] - without catalogue  
            ME/MC            ] - with soft copy only