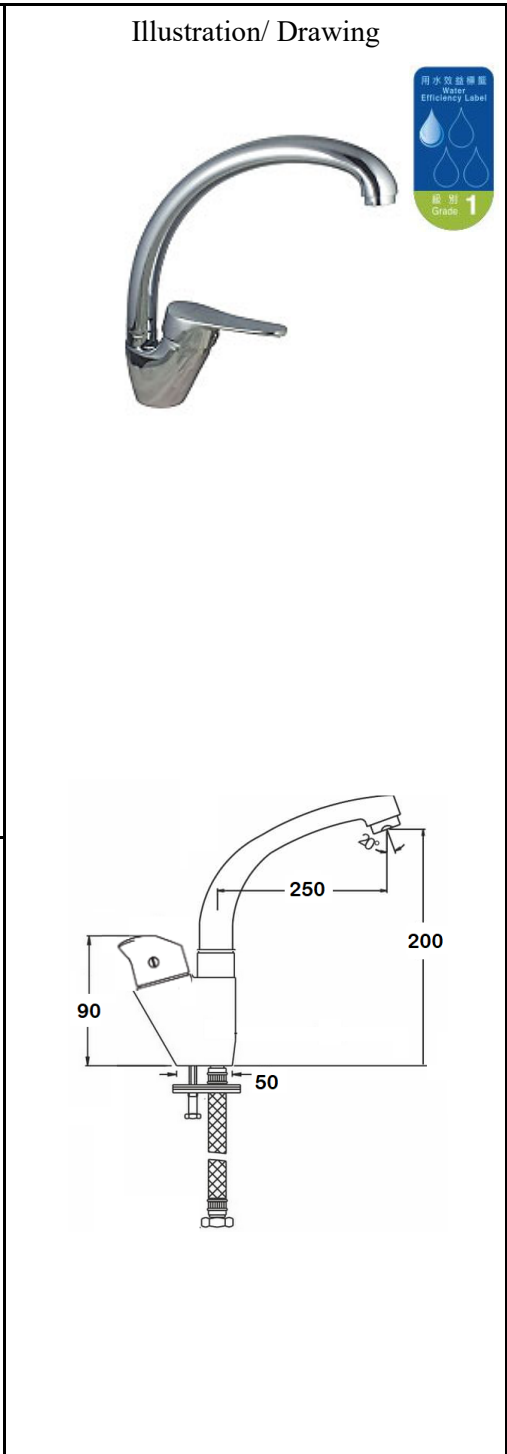
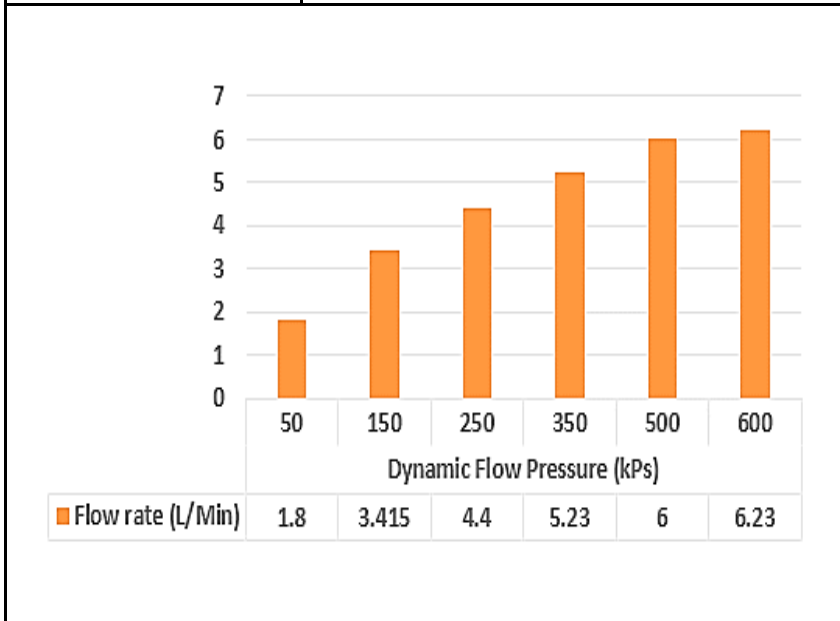




PROJECT		REF		REV	ITEM CODE	
LOCATION		DATE			PAGE	

SANITARY WARE SPECIFICATION SHEET

Item Descriptions	Schleich (PRC) Desk-mounted kitchen sink mixer; nominated flow rate 4.4 L/min in WELS Grade 1 ; Registration No. TM 19-0103;complies with: BS EN 1286: 1999; BS EN 12164: 2016 & AS/NZS 4020: 2005 PLU2.M510;BS 5412: 1996 & BS 5779: 1979 ;test report J23396Ar2	<p>Illustration/ Drawing</p>
Model	S-1018	
Finish	Chrome Plated	
Manufacturer	Schleich (PRC)	
Source	Ka Shing Enterprises (H.K) Limited Mr. Ivan Lau / Mr. GilmanYuen	
Contact Tel/Fax E-mail Website	(852) 2628-0661 / (852) 2490-2700 kashing.project@gmail.com www.kashingehk.com	



Note:

* All information of the above is for the reference only. No prior notice is made if any changes.

註冊號碼 (Registration No.):

TM 19-0103



自願參與用水效益標籤計劃 - 水龍頭 Voluntary Water Efficiency Labelling Scheme - Water Taps

Certificate of Registration

註冊證書



茲證明

This is to certify that

Ka Shing Enterprises (H.K) Ltd.

將下列水龍頭在本計劃內註冊：
has registered the following water tap under this scheme :

牌子 / Brand	:	Schleich
型號 / Model	:	S-1018
種類 / Type	:	Mixing
原產地 / Country or Region Origin	:	China

在用水效益標籤上展示的標誌

Symbolic Presentation on the Water Efficiency Label : 

滴水點

Water droplet(s)

用水效益級別

Water Efficiency Grade : 1

耗水量

Water Consumption : 4.4

公升/分鐘

litres/minute

簽發日期：
Date of Issue:

25 March 2019



水務署
Water Supplies Department



水務署署長(張業駒代行)
for Director of Water Supplies



水務署
Water Supplies Department

總部 Headquarters
香港灣仔告士打道七號入境事務大樓 48 樓
48/F, Immigration Tower, 7 Gloucester Road, Wan Chai, Hong Kong

本署檔號 : (6) in WSD 3321/19 T/J(698/2019)
Our ref.
來函檔號 :
Your ref.

電話 :
Tel.
傳真 : 2824 0578
Fax.

9 September 2019

Ka Shing Enterprises (HK) Ltd
Unit A, 3/F., 30-38 Tsuen King Circuit,
Waylee Ind. Centre, Tsuen Wan,
N.T., Hong Kong

(Attn.: Mr Ivan LAU)



Dear Sir,

**Approval of "SCHLEICH" Sink Mixer
(General Acceptance No. C20190459)**

Your letter dated 16 July 2019 and subsequent submission received by this department on 29 August 2019 refer.

Having considered the test report ref. J23396Ar2 issued on 29 July 2019 by Nutek System (HK) Limited, this Authority accepts that the fitting described below complies with, and its use when correctly installed does not contravene, the Waterworks Ordinance and Regulations.

Name of Manufacturer: 廣東省鶴山市址山東溪開發區江毅水暖廠
Country of Origin: the Mainland of China
Brand: Schleich
Details of Fitting: 3/8" Single lever sink mixer
Model: S-1018
Body Markings: SCHLEICH®
Expiry Date: 13 September 2023



This Authority hereby permits the use of the above fitting in fresh water plumbing systems subject to full adherence to Waterworks installation requirements. In particular, you are required to draw your customers' attention to the following requirement-

"The cold water supply to the fitting shall be drawn from the same source that supplies the hot water apparatus so as to provide a balanced pressure and to obviate the risk of scalding in the event of a restriction or failure in the water supply."

A condition of this acceptance is that the fitting to be installed shall be replicas of the sample as certified by the testing agent mentioned above and without modifications. This acceptance may be withdrawn at any time if the standard of the fitting installed fails to meet that of the approved sample or if the fitting is found to be unsuitable for use in fresh water plumbing systems.

This acceptance is only applicable to the main body of the fitting, unless otherwise specified.

For the use of the fitting in any project, the General Acceptance Number of this letter must be quoted as a means of identification of acceptance of the fitting by this Authority.

Should you have any enquiries, please contact our Engineer Mr. Terry KUNG at tel. no. 3583 4086.

Yours faithfully,



(CHEUNG Yip-kui)

for Director of Water Supplies

Encl.

c.c. WSD 3321/1/82] - without catalogue
 ME/MC] - with soft copy only

General Acceptance No. C20190459



總部 Headquarters

香港灣仔告士打道七號入境事務大樓 48 樓

48/F, Immigration Tower, 7 Gloucester Road, Wan Chai, Hong Kong

本署檔號 : (4) in WSD 3321/2021 T/J(48/2021)
Our ref.
來函檔號 :
Your ref.

電話 :
Tel.
傳真 : 2824 0578
Fax.

8 March 2021

Approval of "KITA" Flexible Hose (General Acceptance No. B20210009)

Your letters dated 11 December 2020 and 25 January 2021 refer.

It is noted that the fitting described below has been accepted by the United Kingdom Water Regulations Advisory Scheme (WRAS) to have complied with the requirements of the United Kingdom Water Supply (Water Fittings) Regulations / Scottish Water Byelaws when correctly installed. This Authority accepts that the fitting described below based on the WRAS certificate complies with, and its use when correctly installed does not contravene, the Waterworks Ordinance and Regulations.

Name of Manufacturer: Ka Shing Enterprises (HK) Ltd

Country of Origin: the Mainland of China

Brand: Kita

Details of Fitting: Range of stainless steel braided PEX lined flexible hose assemblies with brass end connections and EPDM o ring and washers with various end connections options. Maximum working pressure 10.0 bar. Maximum operating temperature 85°C.



Model: PEX-KITA

Size: Bore diameters:
DN6 & DN8

End connections:
M10, M12, M15, F3/8", F1/2", F3/4", F15, 3/8" BSP (M),
1/2" BSP (M), 3/4" BSP (M)

Body Markings: PEX-KITA, WRAS & Year of Manufacture YYYY on crimped connection

WRAS Approval Number: 1909395

Installation Requirements: R001, R008

Expiry Date: 30 September 2024

In view of the acceptance by WRAS, this Authority has no objection to the use of the said fitting in fresh water plumbing systems subject to full adherence to Waterworks installation requirements. In particular, you are required to draw your customers' attention to the following installation requirements –

“Installation shall comply with the ‘Installation Requirements & Notes’ of the WRAS’s approval letter concerned.” AND

“The inlet flexible hose is applied for the water tap or mixer connection only and installed in the fresh water plumbing systems.”

A condition of this acceptance is that the fitting to be installed should be replicas of the sample certified by WRAS and no modification should be made to the fitting. This acceptance may be withdrawn at any time if the standard of the fitting installed fails to meet that of the approved sample or if the fitting is found to be unsuitable for use in fresh water plumbing systems.

For the use of the fitting in any project, the General Acceptance Number of this letter must be quoted as a means of identification of acceptance of the fitting by this Authority.

General Acceptance No. B20210009

Should you have any enquiries, please contact our Engineer Mr. Terry KUNG
at tel. no. 3583 4086.

Yours faithfully,



(Roger WONG)

for Director of Water Supplies

Encl.

c.c. WSD 3321/1/82] - without catalogue
 ME/MC] - with soft copy only