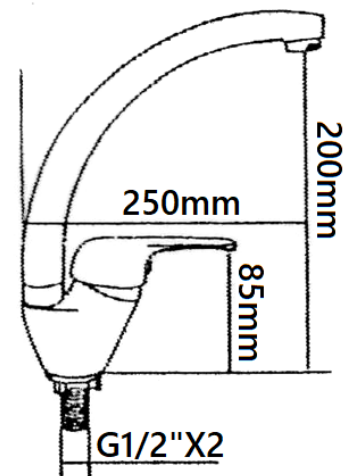
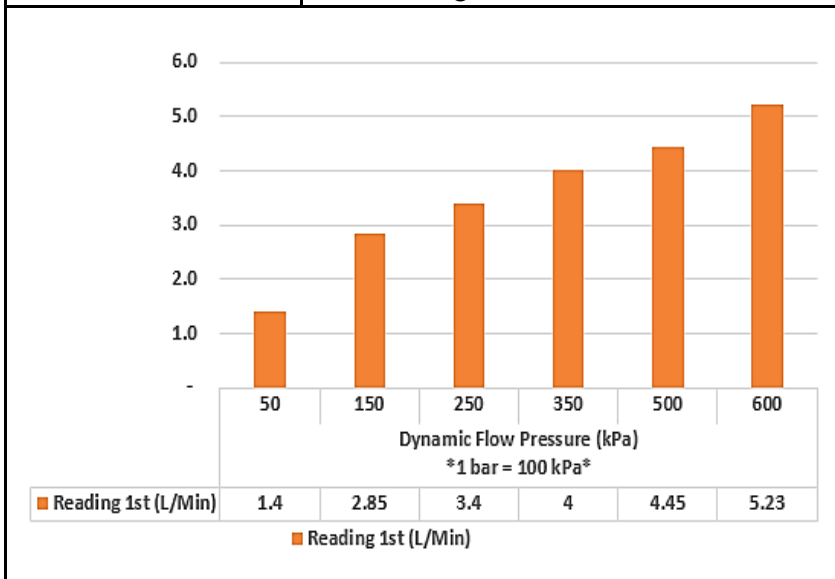




PROJECT		REF		REV	ITEM CODE	
LOCATION		DATE			PAGE	

## SANITARY WARE SPECIFICATION SHEET

Item Descriptions	Schleich (PRC) Chrome plated brass 1/2" single lever sink tap for cold water only; complied with BS EN 1286: 1999; BS EN 1982: 2008; BS EN 12164: 2016 & AS/NZS 4020:2005 PLU2.M510 & BS EN 200: 20084; test report J23391Ar1; nominated flow rate <b>3.4 l/min</b> in WELS <b>Grade 2</b> ; Registration No. TN 20-0007	Illustration/ Drawing 
Model	S-101	
Material / Finish	Brass / Chrome Plated	
Manufacturer	Schleich (PRC)	
Source	Ka Shing Enterprises (H.K) Limited Mr. Ivan Lau / Mr. Gilman Yuen	
Contact Tel/Fax	(852) 2628-0661 / (852) 2490-2700	
E-mail	project@kashingehk.com	
Website	www.kashingehk.com	



**Note:**

\* All information of the above is for the reference only. No prior notice is made if any changes.

註冊號碼 (Registration No.):

TN 20-0007



自願參與用水效益標籤計劃 - 水龍頭  
Voluntary Water Efficiency Labelling Scheme - Water Taps



*Certificate of* 註冊證書  
*Registration*

茲證明  
This is to certify that  
Ka Shing Enterprises (H.K) Ltd.

將下列水龍頭在本計劃內註冊：  
has registered the following water tap under this scheme :

牌子 / Brand	:	Schleich
型號 / Model	:	S-101 + S-FR 4L
種類 / Type	:	Non-mixing
原產地 / Country or Region Origin	:	China (Tap & Flow Controller)

在用水效益標籤上展示的標誌 <i>Symbolic Presentation on the Water Efficiency Label</i>	:		滴水點 <i>Water droplet(s)</i>
用水效益級別 <i>Water Efficiency Grade</i>	:	2	
耗水量 <i>Water Consumption</i>	:	3.4	公升/分鐘 <i>litres/minute</i>

簽發日期：  
Date of Issue: 20 March 2020

 水務署  
Water Supplies Department



水務署署長(張業駒代行)  
for Director of Water Supplies