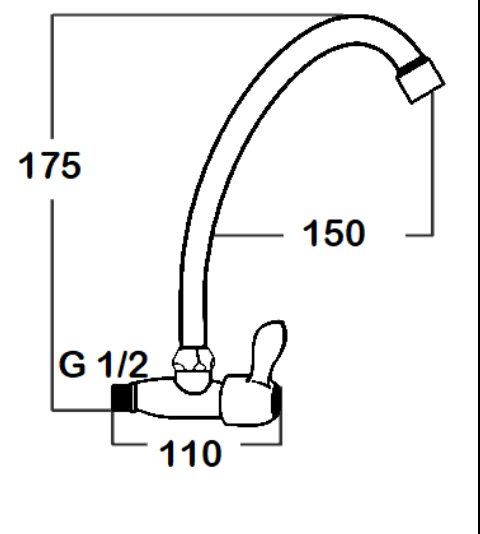
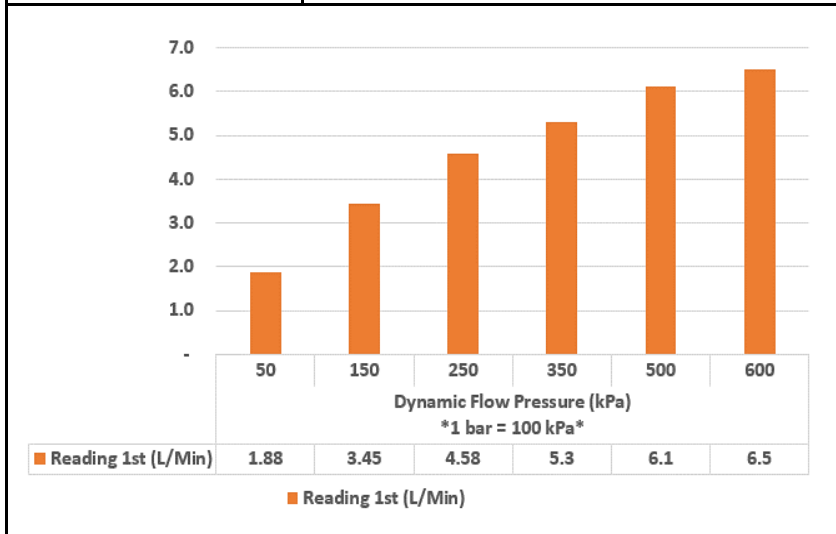




PROJECT		REF		REV	ITEM CODE	
LOCATION		DATE			PAGE	

SANITARY WARE SPECIFICATION SHEET

Item Descriptions	Kita (PRC) Chrome plated 1/2" wall mounted single lever sink tap ; Nominal flow rate 4.4 L/min in WELS Grade 3 ; Registration No. TN 19-0100 ; complied with BS EN 200: 2008; BS EN 1982: 2008; BS EN 10088-1: 2014; BS EN 12164: 2016; BS 6920-3: 2000; BS 6920-2.6: 2000 + A2: 2014; AS/NZS 4020: 2005 Appendix I Cl. 6.3 ; test report J26987	Illustration/ Drawing
Model	C-310	
Material / Finish	Brass / Chrome Plated	
Manufacturer	Kita (PRC)	
Source	Ka Shing Enterprises (H.K) Limited Mr. Ivan Lau / Mr. GilmanYuen	
Contact Tel/Fax	(852) 2628-0661 / (852) 2490-2700	
E-mail	project@kashingehk.com	
Website	www.kashingehk.com	



Note:

* All information of the above is for the reference only. No prior notice is made if any changes.

註冊號碼 (Registration No.): TN 19-0100



自願參與用水效益標籤計劃 - 水龍頭
Voluntary Water Efficiency Labelling Scheme - Water Taps

Certificate of Registration
註冊證書




茲證明
This is to certify that

Ka Shing Enterprises (H.K) Ltd.

將下列水龍頭在本計劃內註冊：
has registered the following water tap under this scheme :

牌子 / Brand	:	KITA
型號 / Model	:	C-310
種類 / Type	:	Non-mixing
原產地 / Country or Region Origin	:	China

在用水效益標籤上展示的標誌

Symbolic Presentation on the Water Efficiency Label :  滴水點
Water droplet(s)

用水效益級別

Water Efficiency Grade : 3

耗水量

Water Consumption : 4.4 公升/分鐘
litres/minute

簽發日期：
Date of Issue: 7 August 2019

 水務署
Water Supplies Department



水務署署長(張業駒代行)
for Director of Water Supplies



水務署
Water Supplies Department

總部 Headquarters
香港灣仔告士打道七號入境事務大樓 48 樓
48/F, Immigration Tower, 7 Gloucester Road, Wan Chai, Hong Kong

本署檔號 : (4) in WSD 3321/2021 T/J(1405/2021)
Our ref.
來函檔號 :
Your ref.

電話 :
Tel.
傳真 : 2824 0578
Fax.

25 October 2021

Ka Shing Enterprises (HK) Ltd
Unit A, 3/F., 30-38 Tsuen King Circuit,
Waylee Ind. Centre, Tsuen Wan,
N.T., Hong Kong

(Attn.: Mr Ivan LAU)

Dear Sir,



**Approval of "KITA" Sink Tap
(General Acceptance No. C20211182)**

Your letters dated 8 September 2021 and 16 September 2021 refer.

Having considered the test report ref. J26987 issued on 6 September 2021 by Nutek System (HK) Limited, this Authority accepts that the fitting described below complies with, and its use when correctly installed does not contravene, the Waterworks Ordinance and Regulations.

Name of Manufacturer: J & W (Jiang-Yi) Sanitary Ware Factory

Country of Origin: the Mainland of China

Brand: Kita

Details of Fitting: 1/2" Wall mounted sink tap

Model: C-310

Body Markings: Kita[®]

Expiry Date: 31 August 2026



This Authority hereby permits the use of the above fitting in fresh water plumbing systems subject to full adherence to Waterworks installation requirements.

A condition of this acceptance is that the fitting to be installed shall be replicas of the sample as certified by the testing agent mentioned above and without modifications. This acceptance may be withdrawn at any time if the standard of the fitting installed fails to meet that of the approved sample or if the fitting is found to be unsuitable for use in fresh water plumbing systems.

This acceptance is only applicable to the main body of the fitting, unless otherwise specified.

For the use of the fitting in any project, the General Acceptance Number of this letter must be quoted as a means of identification of acceptance of the fitting by this Authority.

Should you have any enquiries, please contact our Engineer Ms Winnie LO at tel. no. 3583 4086.

Yours faithfully,



(Roger WONG)
for Director of Water Supplies

Encl.

c.c. WSD 3321/1/82] - without catalogue
ME/MC] - with soft copy only