
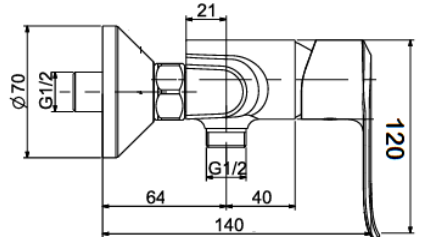
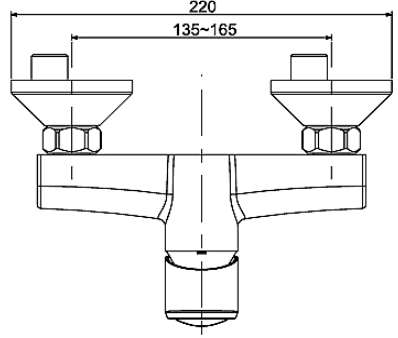




PROJECT		REF		REV	ITEM CODE	
LOCATION		DATE			PAGE	

SANITARY WARE SPECIFICATION SHEET

Item Descriptions	Schleich (PRC) Single lever wall mounted shower mixer;complies with: BS EN 1286: 1999; BS EN 12164: 2016; BS EN 1982:2008 & AS/NZS 4020: 2005 ; test report J29397	<p>Illustration/ Drawing</p>   
Model	S-018	
Dimensions	L220 x W140 x H120mm	
Finish	Chrome Plated	
Manufacturer	Schleich	
Source	Ka Shing Enterprises (H.K.) Limited Mr. Ivan Lau / Mr. GilmanYuen	
Contact Tel/Fax	(852) 2628-0661 / (852) 2490-2700	
E-mail	project@kashingehk.com	
Website	www.kashingehk.com	

Note: