
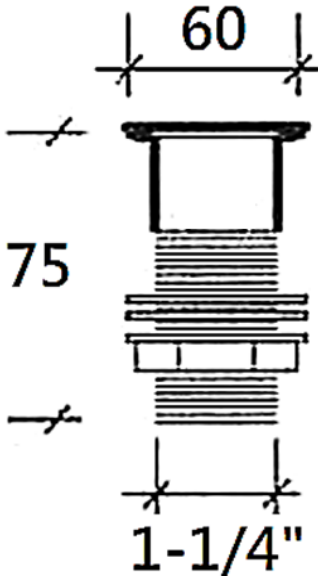




PROJECT		REF		REV	ITEM CODE	
LOCATION		DATE			PAGE	

SANITARY WARE SPECIFICATION SHEET

Item Descriptions	Kita (PRC) Chrome plated brass 1-1/4" basin waste	<p align="center">Illustration/ Drawing</p>  
Model	NX-1104	
Finish	Chrome Plated	
Manufacturer	Kita (PRC)	
Source	Ka Shing Enterprises (H.K) Limited Mr. Ivan Lau / Mr. GilmanYuen	
Contact Tel/Fax	(852) 2628-0661 / (852) 2490-2700	
E-mail	project@kashingehk.com	
Website	www.kashingehk.com	

Note:

** All information of the above is for the reference only. No prior notice is made if any changes.*