



| | | | | | | |
|----------|--|------|--|-----|-----------|--|
| PROJECT | | REF | | REV | ITEM CODE | |
| LOCATION | | DATE | | | PAGE | |

SANITARY WARE SPECIFICATION SHEET

| | | |
|---|--|-------------------------------------|
| <p>Item Descriptions</p> <p>Dimensions</p> <p>Model</p> <p>Materials</p> <p>Manufacturer</p> <p>Source</p> <p>Contact Tel/Fax</p> <p>E-mail</p> <p>Website</p> | <p>Koala Kare (USA) Surface mounted polyethylene baby changing station; European Standards: EN 12221 Changing units for domestic use.</p> <p>L927 x W575 x H83 mm</p> <p>KB112-01CT</p> <p>Polyethylene</p> <p>Koala Kare (USA)</p> <p>Ka Shing Enterprises (H.K) Limited Mr. Ivan Lau / Mr. GilmanYuen</p> <p>(852) 2628-0661 / (852) 2490-2700 project@kashingehk.com www.kashingehk.com</p> | <p>Illustration/ Drawing</p> |
| <p>KB112-01RE Countertop Recess Mounted</p> <p>Koala recess countertop mounted polyethylene laybed baby changing station. Contoured unit offers a safe and durable changing surface. Offers a perfect solution when wall space is unavailable. Includes child protection straps.</p> <p>Unit Dimensions: 32" W x 19 5/8" L (812 x 497 mm) Depth (closed): 3" (76 mm) Shipping Weight: 6 lbs</p> <p>MATERIALS: Thermoformed high-density polyethylene. Mounting instructions and hardware included. Contoured changing surface is 379 sq. in (2445 sq. cm) and comes complete with nylon safety straps</p> | | |

Note:

* All information of the above is for the reference only. No prior notice is made if any changes.



| | | | | | | |
|----------|--|------|--|-----|-----------|--|
| PROJECT | | REF | | REV | ITEM CODE | |
| LOCATION | | DATE | | | PAGE | |

SANITARY WARE SPECIFICATION SHEET



KB112-01RE Installation Instructions

Step 1.

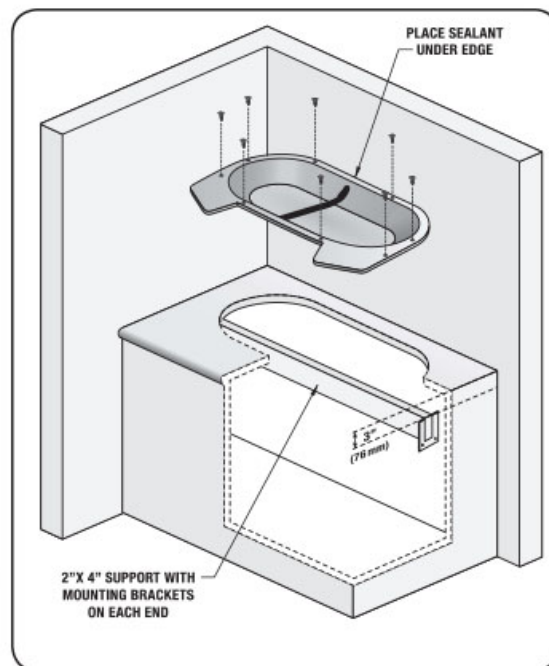
Remove changing station from the shipping container and check for any freight damage. Identify the best location for installing the unit.

Step 2.

Remove the rough opening template from the shipping carton. Remove paper template and lay it on the surface where the unit will be mounted. Drill hole in interior of rough opening to allow saw access. Cut out rough opening.

Step 3.

Construct under counter support as shown in the illustration. Support should be 3" below bottom of mounting surface.



Step 4.

Place the Countertop Baby Changing Station (BCS) onto counter surface and place in desired position. Using the mounting holes as a guide, mark the screw hole locations with a pencil. Remove BCS and drill holes with a 1/8" diameter drill bit.

Step 5.

Place BCS onto counter surface using the drilled holes as a guide. Slide screw through the screw cover base. Screw fasteners through holes into countertop surface. Securely snap screw cover onto screw cover base. Apply a suitable water sealant (not provided) such as silicone around the base of the BCS.

***Note: If drilling into marble or granite, take care to not crack or chip the surface area while drilling. Larger drill bit may be necessary.**

Note: