



PROJECT		REF		REV	ITEM CODE	
LOCATION		DATE			PAGE	

SANITARY WARE SPECIFICATION SHEET

Item Descriptions	MEITU (PRC) Plastic slow closing seat and cover	Illustration/ Drawing
Model	MTCU-06	
Material	Plastic	
Manufacturer	MEITU (PRC)	
Source	Ka Shing Enterprises (H.K.) Limited Mr. Ivan Lau / Mr. GilmanYuen	
Contact Tel/Fax	(852) 2628-0661 / (852) 2490-2700	
E-mail	project@kashingehk.com	
Website	www.kashingehk.com	

Can be used instead of the following brands



易拆功能
Detachable hinges



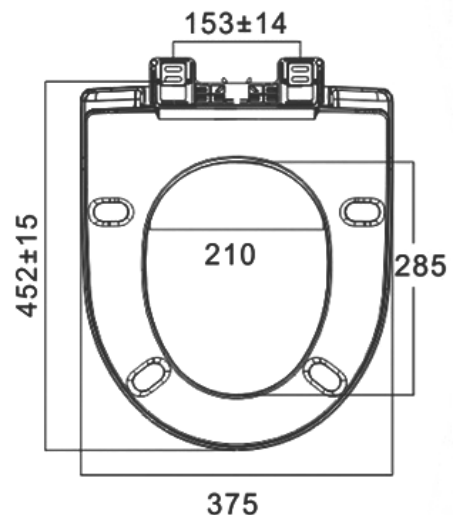
顶锁功能
Top-mounting



缓降功能
Soft-closing



KOHLER Odeon 8711T-S2-0
型号: KC-8711T-00



Note:

* All information of the above is for the reference only. No prior notice is made if any changes.