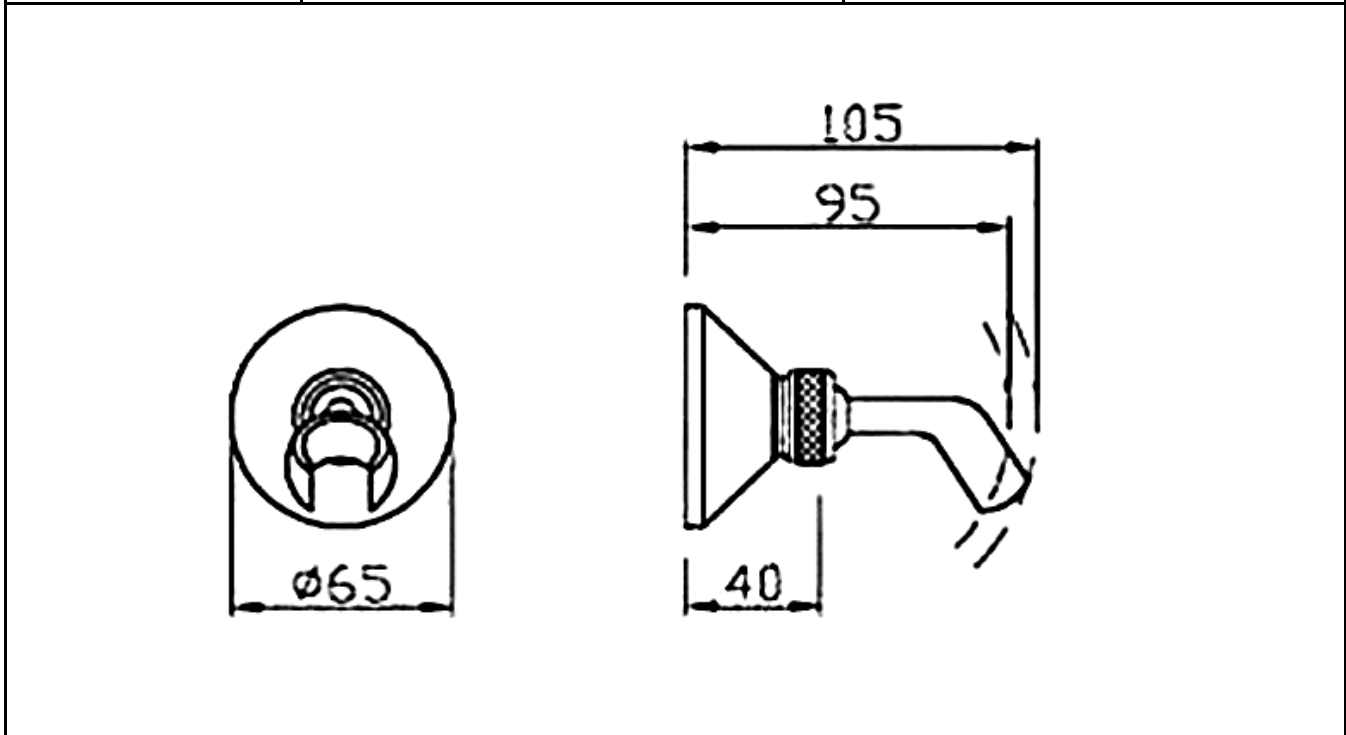




| | | | | | | |
|----------|--|------|--|-----|-----------|--|
| PROJECT | | REF | | REV | ITEM CODE | |
| LOCATION | | DATE | | | PAGE | |

SANITARY WARE SPECIFICATION SHEET

| Item Descriptions | KITA (PRC) chrome plated shower holder | Illustration/ Drawing |
|-------------------|---------------------------------------------------------------------|-----------------------|
| Dimensions | L105 x W65 mm | |
| Model | B-1 | |
| Material/ Color | Chrome plated | |
| Manufacturer | KITA (PRC) | |
| Source | Ka Shing Enterprises (H.K) Limited Mr. Ivan Lau / Mr. GilmanYuen | |
| Contact Tel/Fax | (852) 2628-0661 / (852) 2490-2700 | |
| E-mail Website | project@kashingehk.com www.kashingehk.com | |



Note:

* All information of the above is for the reference only. No prior notice is made if any changes.