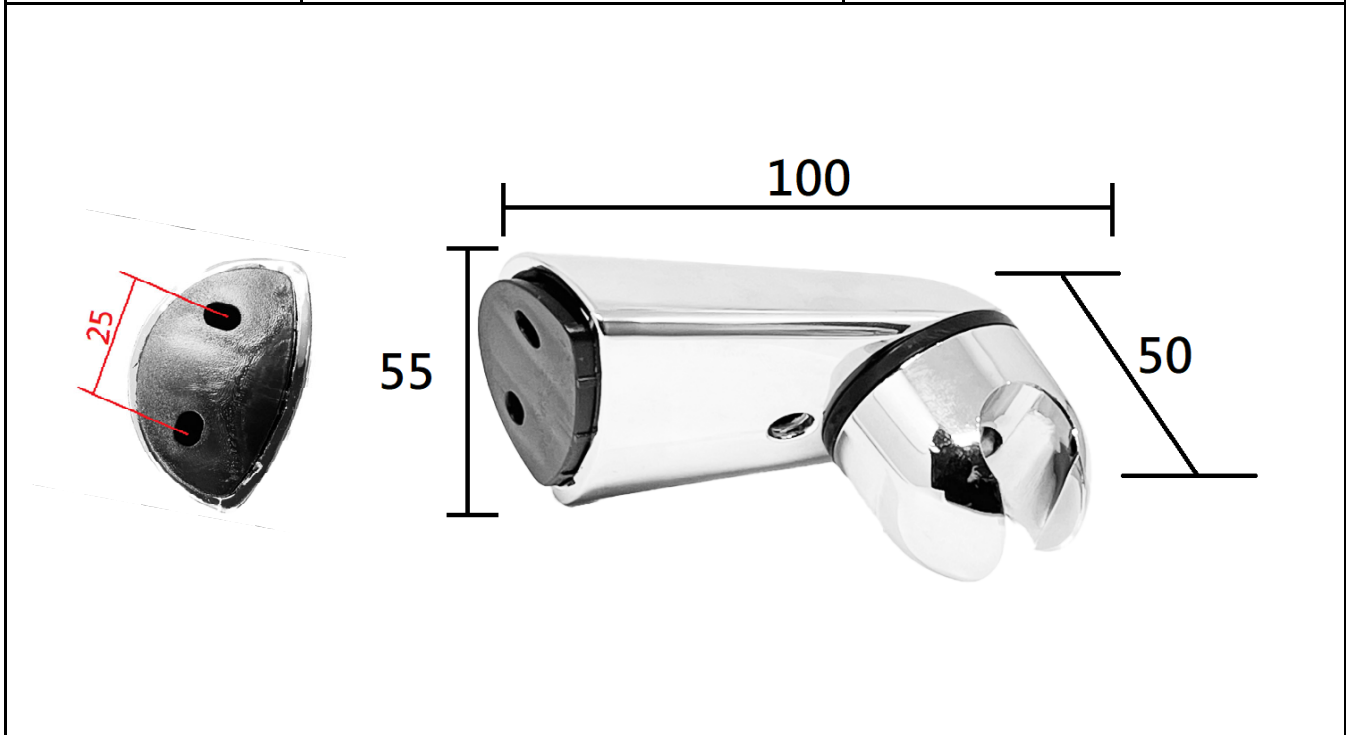




PROJECT		REF		REV	ITEM CODE	
LOCATION		DATE			PAGE	

## SANITARY WARE SPECIFICATION SHEET

Item Descriptions	KITA (PRC) chrome plated shower holder	Illustration/ Drawing
Dimensions	L100 x W55 x D50 mm	
Model	B-1	
Material/ Color	Chrome plated	
Manufacturer	KITA (PRC)	
Source	Ka Shing Enterprises (H.K) Limited Mr. Ivan Lau / Mr. GilmanYuen	
Contact Tel/Fax	(852) 2628-0661 / (852) 2490-2700	
E-mail Website	project@kashingehk.com www.kashingehk.com	



Note:

\* All information of the above is for the reference only. No prior notice is made if any changes.