




PROJECT		REF		REV	ITEM CODE	
LOCATION		DATE			PAGE	

### SANITARY WARE SPECIFICATION SHEET

Item Descriptions	Casatino (PRC) 500ml Infra-red sensor operated soap dispenser (4pcs AA batteries)	<p>Illustration/ Drawing</p> 
Dimensions	L150 x W210 x H120 mm	
Model	KSE0800.400	
Finish	Plastic	
Manufacturer	CASATINO (PRC)	
Source	Ka Shing Enterprises (H.K) Limited Mr. Ivan Lau / Mr. GilmanYuen	
Contact Tel/Fax	(852) 2628-0661 / (852) 2490-2700	
E-mail	project@kashingehk.com	
Website	www.kashingehk.com	

#### Specification

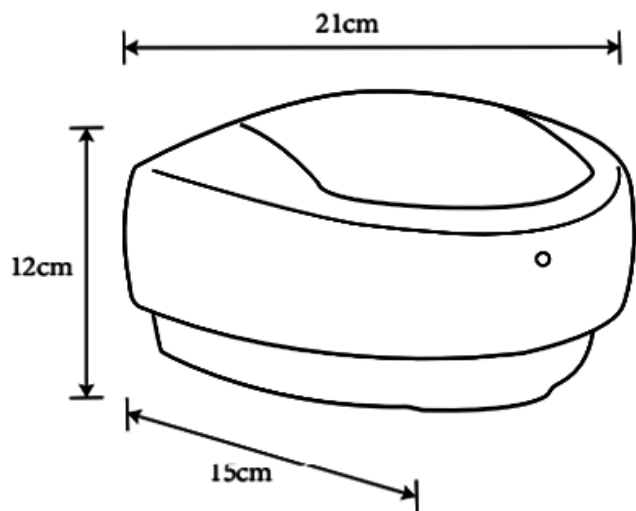
Dimensions (main unit): 15cm(L) x 21cm(W) x 12cm(H)

Sensor Trigger Distance: 8cm

Dispensing: Gel

Material: ABS

Capacity: 500 mL



Note: Batteries are not included.