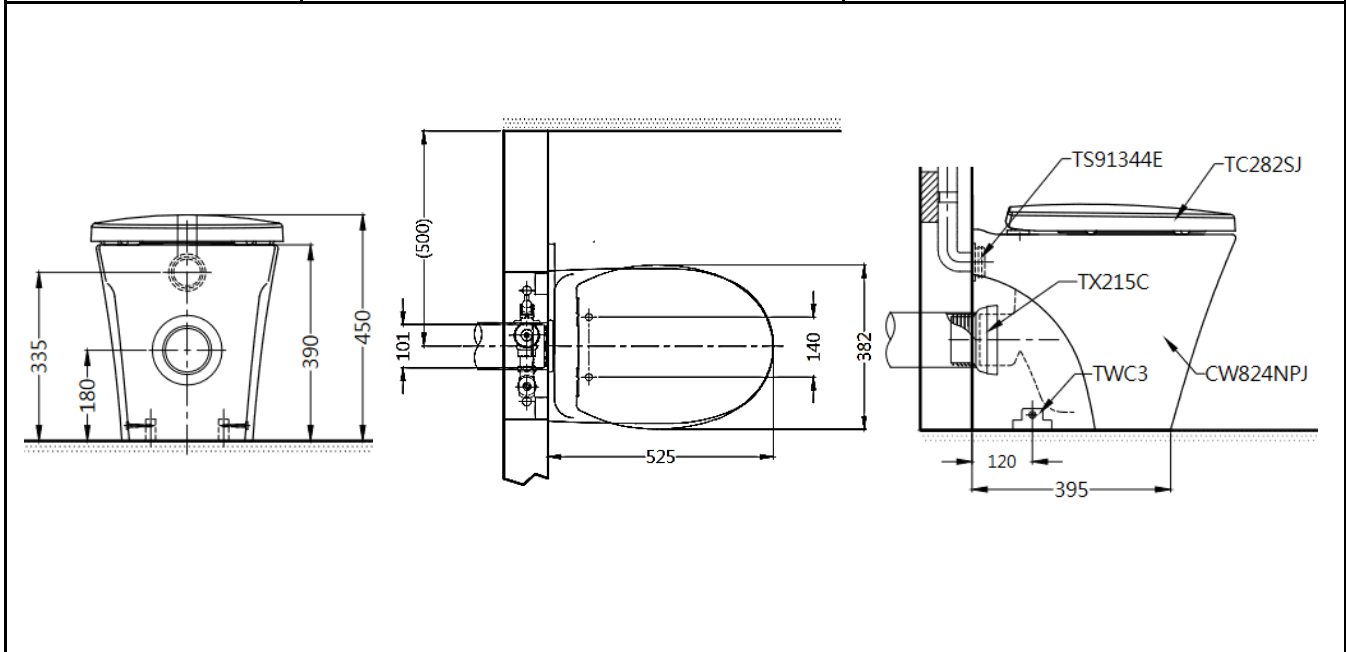




PROJECT		REF		REV	ITEM CODE	
LOCATION		DATE			PAGE	

SANITARY WARE SPECIFICATION SHEET

Item Descriptions	TO TO (Japan) Vitreous china back-to-wall wash down watercloset with soft-closing seat & cover ;nominated flow rate 3.2/4.8 LPF in WELS Grade 1; Registration No.: WC 21-0204	Illustration/ Drawing
Dimensions	525W x 382D x 450H mm	
Model	CW824NPJ	
Materials / Colour	Vitreous China / White	
Manufacturer	TO TO (Indonesia)	
Source	Ka Shing Enterprises (H.K) Limited Mr. Ivan Lau / Mr. GilmanYuen	
Contact Tel/Fax	(852) 2628-0661 / (852) 2490-2700	
E-mail Website	project@kashingehk.com www.kashingehk.com	



Note:

* All information of the above is for the reference only. No prior notice is made if any changes.



自願參與用水效益標籤計劃 - 水廁
Voluntary Water Efficiency Labelling Scheme - Water Closets


Certificate of Registration
註冊證書



茲證明
This is to certify that

將下列水廁在本計劃內註冊：
has registered the following water closet under this scheme :

牌子 / Brand	:	TOTO
型號 / Model	:	CW824NPJ
種類 / Category	:	Water Closet Pan
原產地 / Country or Region Origin	:	Indonesia

在用水效益標籤上展示的標誌 <i>Symbolic Presentation on the Water Efficiency Label</i>	:	 滴水點 <i>Water droplet(s)</i>
用水效益級別 <i>Water Efficiency Grade</i>	:	1
全沖水量 <i>Water Flush Volume (Full)</i>	:	4.8 公升/沖廁 <i>litres/flush</i>
低沖水量 <i>Water Flush Volume (Reduced)</i>	:	3.2 公升/沖廁 <i>litres/flush</i>

簽發日期：
Date of Issue: 30 April 2021

 水務署
Water Supplies Department



水務署署長(張業駒代行)
for Director of Water Supplies

+ 上述水廁具額外節水功能，即：重用洗盥水作沖廁用途。
The above water closet is equipped with additional water saving feature, that is: re-use the water collected from wash basin for flushing purpose.