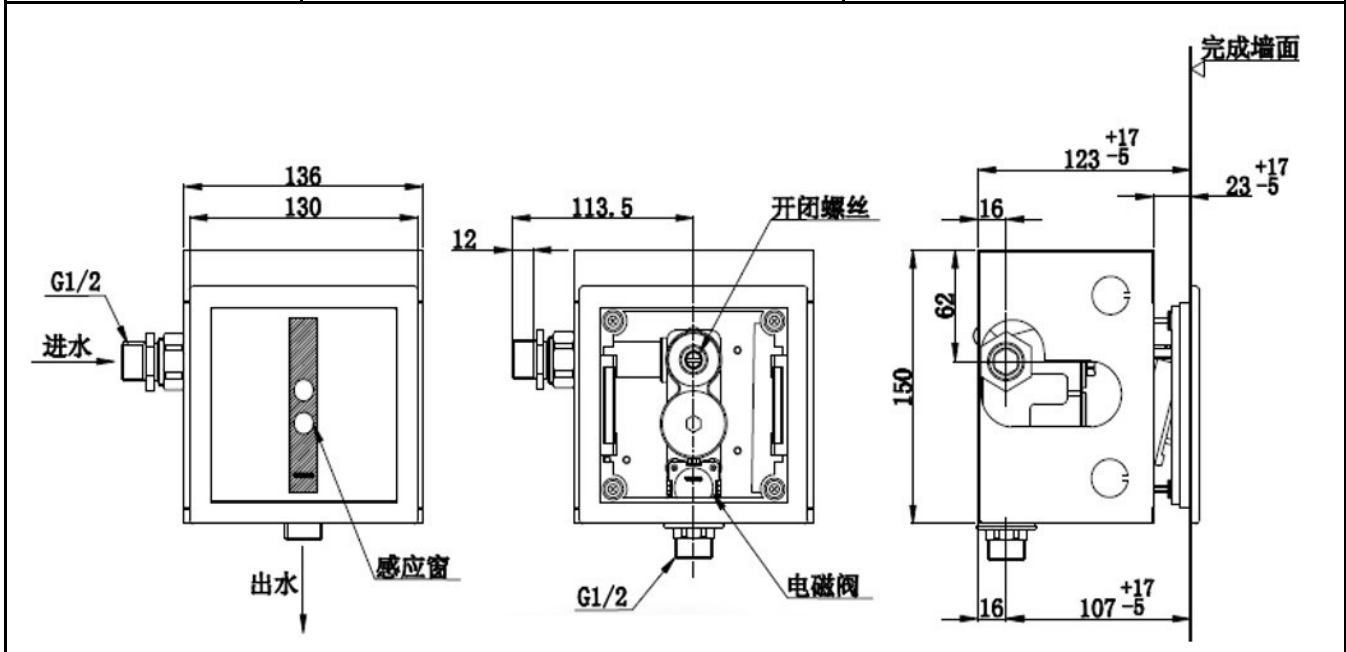




PROJECT		REF		REV	ITEM CODE	
LOCATION		DATE			PAGE	

SANITARY WARE SPECIFICATION SHEET

Item Descriptions	TO TO (Japan) Concealed urinal sensor for sea water ; battery operated ; 2.3 LPF in WELS Grade 2 ; Registration No. 1U 21-0013	<p>Illustration/ Drawing</p>
Dimensions	W150 x D130 x H123 mm	
Model	DUE108UA	
Materials / Colour	Vitreous China / White	
Manufacturer	TO TO (Japan)	
Source	Ka Shing Enterprises (H.K) Limited Mr. Ivan Lau / Mr. GilmanYuen	
Contact Tel/Fax	(852) 2628-0661 / (852) 2490-2700	
E-mail Website	project@kashingehk.com www.kashingehk.com	



Note:

* All information of the above is for the reference only. No prior notice is made if any changes.



水務署
Water Supplies Department

總部 Headquarters
香港灣仔告士打道七號入境事務大樓 48 樓
48/F, Immigration Tower, 7 Gloucester Road, Wan Chai, Hong Kong

本署檔號 : (2) in WSD 3321/2021 T/J(464/2021)
Our ref.
來函檔號 :
Your ref.

電話 :
Tel.
傳真 : 2824 0578
Fax.

29 April 2021

Dear Sir,

**Approval of "TOTO" Sensor Flush Valve
(General Acceptance No. C20210452F)**

Your letter ref. L-TT-8430 dated 19 March 2021 refers.

Having considered the test report ref. J26037A issued on 18 March 2021 by Nutek Systems (HK) Limited, this Authority accepts that the fitting described below complies with, and its use when correctly installed does not contravene, the Waterworks Ordinance and Regulations.

Name of Manufacturer: TOTO (Shanghai) Co Ltd
Country of Origin: the Mainland of China
Brand: TOTO
Details of Fitting: 1/2" Sensor flush valve for urinal
Model: DUE108UA
Body Markings: **TOTO**
Expiry Date: 3 March 2026



Proviso: As the fitting has not been tested for use in contact with water intended for human consumption, the fitting can only be used in flushing water plumbing system.

This Authority hereby permits the use of the above fitting in flushing water plumbing systems subject to full adherence to Waterworks installation requirements. In particular, you are required to draw your customers' attention to the following requirement-

"Installation of filter before flushing valve is required. Without the filter, the flushing valve is liable to leak. The installed filter need frequent inspection and cleaning to maintain flushing supply. Normally only public toilets with good management system for maintenance would be considered."

"A stop cock or gate valve must be installed at the upstream of the fitting for manual isolation of water supply."

"The design flushing volume of the flushing valve should be compatible with the toilet bowl to ensure that effective clearance can be achieved by a single flush of water."

"Flushing valve should be used within the range of working pressures specified by the manufacturer." AND

"Installation of electronic opening and closing sanitary tapware should also comply with the requirements of Electrical & Mechanical Services Department."

A condition of this acceptance is that the fitting to be installed shall be replicas of the sample as certified by the testing agent mentioned above and without modifications. This acceptance may be withdrawn at any time if the standard of the fitting installed fails to meet that of the approved sample or if the fitting is found to be unsuitable for use in flushing water plumbing systems.

For the use of the fitting in any project, the General Acceptance Number of this letter must be quoted as a means of identification of acceptance of the fitting by this Authority.