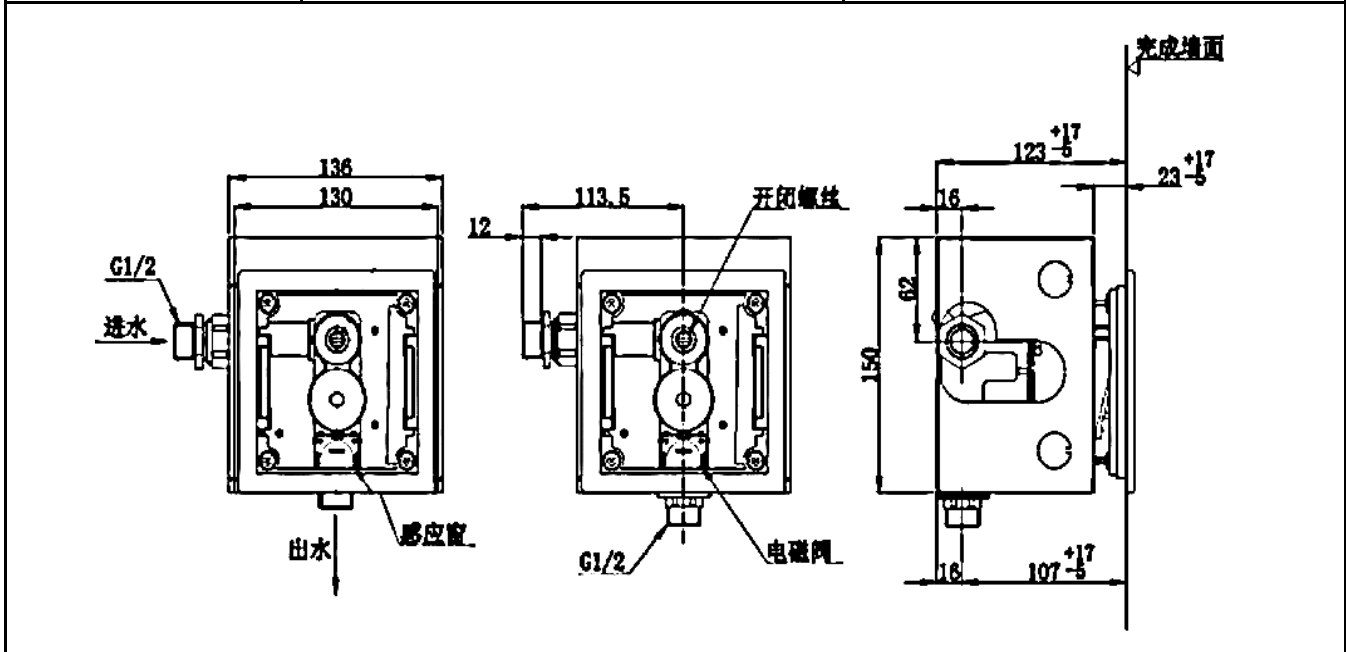




PROJECT		REF		REV	ITEM CODE	
LOCATION		DATE			PAGE	

SANITARY WARE SPECIFICATION SHEET

Item Descriptions	TO TO (Japan) Stainless steel Concealed urinal sensor for sea water ; AC operated ; 1.3 LPF in WELS Grade 1 ; Registration No. 1U 23-0012	<p align="center">Illustration/ Drawing</p>
Dimensions	W115 x D115 mm	
Model	DUE129UE	
Materials	Stainless steel	
Manufacturer	TO TO (Japan)	
Source	Ka Shing Enterprises (H.K) Limited Mr. Ivan Lau / Mr. GilmanYuen	
Contact Tel/Fax	(852) 2628-0661 / (852) 2490-2700	
E-mail	project@kashingehk.com	
Website	www.kashingehk.com	



Note:

* All information of the above is for the reference only. No prior notice is made if any changes.

註冊號碼 (Registration No.):

1U 20-0012



自願參與用水效益標籤計劃 - 小便器用具
Voluntary Water Efficiency Labelling Scheme - Urinal Equipment

Certificate of Registration
註冊證書




茲證明

This is to certify that

將下列小便器用具在本計劃內註冊：
has registered the following urinal equipment under this scheme :

牌子 / Brand	:	TOTO
型號 / Model	:	DUE129UE
種類 / Category	:	1
原產地 / Country or Region Origin	:	China

在用水效益標籤上展示的標誌 <i>Symbolic Presentation on the Water Efficiency Label</i>	:		滴水點 <i>Water droplet(s)</i>
用水效益級別 <i>Water Efficiency Grade</i>	:	1	
沖水量 <i>Water Flush Volume</i>	:	1.3	公升/循環 <i>litres/cycle</i>

簽發日期：
Date of Issue: 28 May 2020

 水務署
Water Supplies Department



水務署署長(張業駒代行)

for Director of Water Supplies

* 上述小便器用具具有智能功能，並且能達至額外節省用水。

The above urinal equipment is operated with a smart demand operation to achieve additional water saving.



水務署
Water Supplies Department

總部 Headquarters

香港灣仔告士打道七號入境事務大樓 48 樓

48/F, Immigration Tower, 7 Gloucester Road, Wan Chai, Hong Kong

本署檔號 : (6) in WSD 3321/19 T/J(1118/2019)
Our ref.
來函檔號 :
Your ref.

電話 :
Tel.
傳真 : 2824 0578
Fax.

18 February 2020

Road,

Dear Sir,

**Approval of "TOTO" Sensor Flush Valve
(General Acceptance No. C20200091F)**

Your letters ref. L-TT-8159, L-TT-8179 and L-TT-8193 dated 25 November 2019, 23 December 2019 and 15 January 2020 respectively refer.

Having considered the test report ref. 181438EN180972(2)F issued on 8 January 2020 by Fugro Technical Services Limited, this Authority accepts that the fitting described below complies with, and its use when correctly installed does not contravene, the Waterworks Ordinance and Regulations.

Name of Manufacturer: TOTO (Shanghai) Co Ltd
Country of Origin: the Mainland of China
Brand: TOTO
Details of Fitting: 1/2" Sensor flush valve for urinal
Model: DUE129UE
Body Markings: TOTO
Expiry Date: 20 June 2024



Proviso: As the fitting has not been tested for use in contact with water intended for human consumption, the fitting can only be used in flushing water plumbing system.

This Authority hereby permits the use of the above fitting in flushing water plumbing systems subject to full adherence to Waterworks installation requirements. In particular, you are required to draw your customers' attention to the following requirement-

"Installation of filter before flushing valve is required. Without the filter, the flushing valve is liable to leak. The installed filter need frequent inspection and cleaning to maintain flushing supply. Normally only public toilets with good management system for maintenance would be considered."

"A stop cock or gate valve must be installed at the upstream of the fitting for manual isolation of water supply."

"The design flushing volume of the flushing valve should be compatible with the toilet bowl to ensure that effective clearance can be achieved by a single flush of water."

"Flushing valve should be used within the range of working pressures specified by the manufacturer." AND

"Installation of electronic opening and closing sanitary tapware should also comply with the requirements of Electrical & Mechanical Services Department."

A condition of this acceptance is that the fitting to be installed shall be replicas of the sample as certified by the testing agent mentioned above and without modifications. This acceptance may be withdrawn at any time if the standard of the fitting installed fails to meet that of the approved sample or if the fitting is found to be unsuitable for use in flushing water plumbing systems.

For the use of the fitting in any project, the General Acceptance Number of this letter must be quoted as a means of identification of acceptance of the fitting by this Authority.

Should you have any enquiries, please contact our Engineer Mr. Terry KUNG at tel. no. 3583 4086.

Yours faithfully,



(CHAN Chung-kun)

for Director of Water Supplies

General Acceptance No. C20200091F

Encl.

c.c. WSD 3321/1/82] - without catalogue
ME/MC] - with soft copy only