
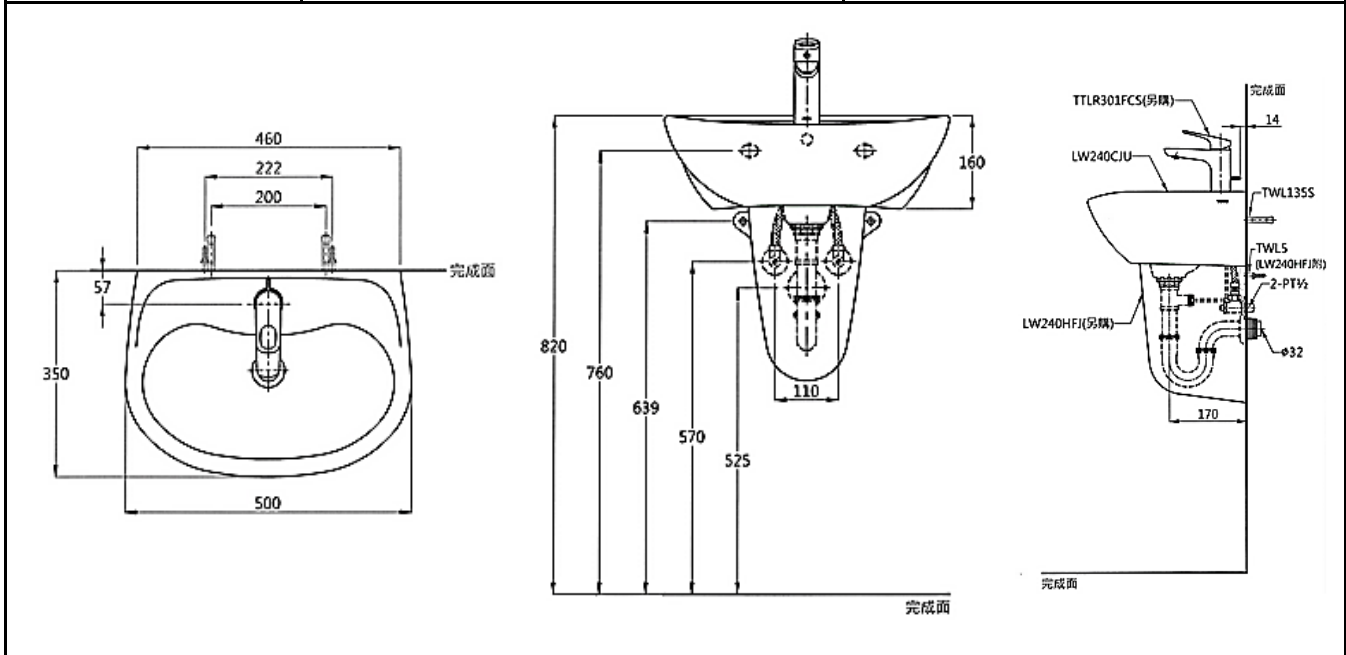




PROJECT		REF		REV	ITEM CODE	
LOCATION		DATE			PAGE	

SANITARY WARE SPECIFICATION SHEET

Item Descriptions	TO TO (Japan) Vitreous china wall hung wash basin	<p>Illustration/ Drawing</p> 
Dimensions	W500 x D350 x H125 mm	
Model	LW240CJ / LW240HFJ	
Materials / Colour	Vitreous China / White	
Manufacturer	TO TO (Japan)	
Source	Ka Shing Enterprises (H.K) Limited Mr. Ivan Lau / Mr. Gilman Yuen	
Contact Tel/Fax	(852) 2628-0661 / (852) 2490-2700	
E-mail Website	project@kashingehk.com www.kashingehk.com	



Note:

* All information of the above is for the reference only. No prior notice is made if any changes.