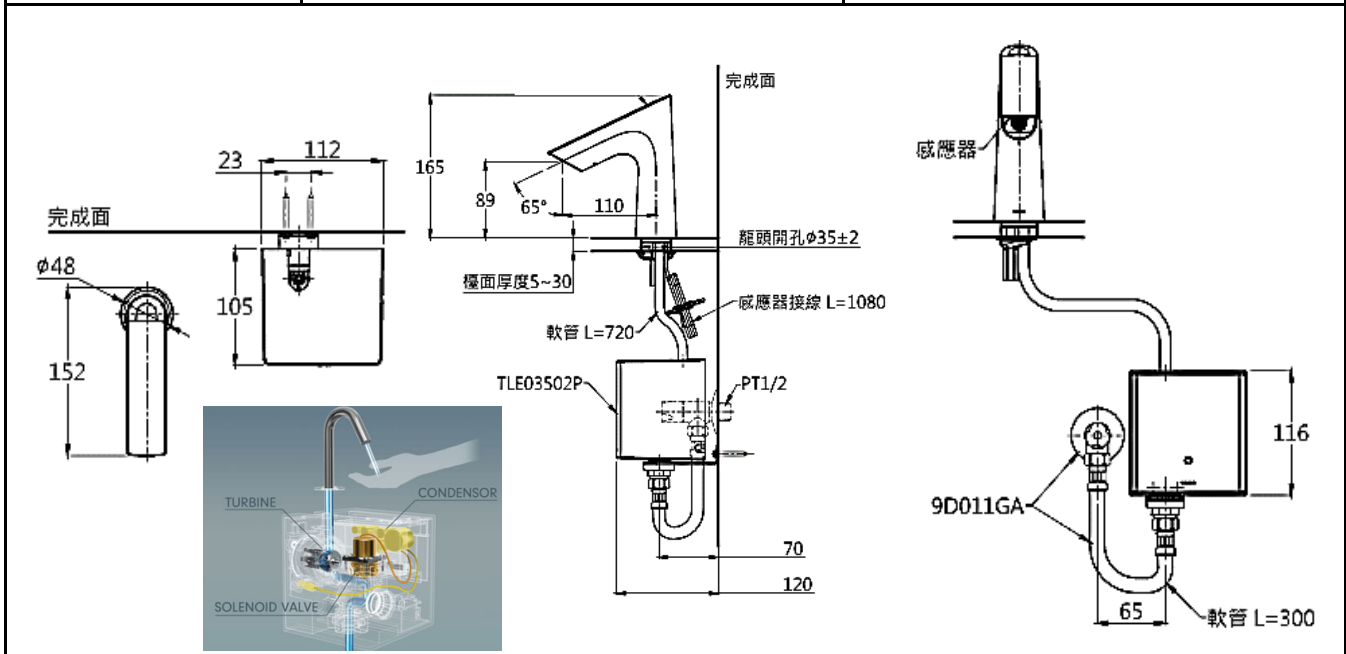




PROJECT		REF		REV	ITEM CODE	
LOCATION		DATE			PAGE	

SANITARY WARE SPECIFICATION SHEET

Item Descriptions	TO TO (Japan) Chrome plated brass hand washing sensor faucet for cold water; operated in Self Powered DC Supply ; nominated flow rate 1.9 L/min in WELS Grade 1; Registration No. TN 22-0018	<p>Illustration/ Drawing</p>
Dimensions	W152 x D48 x H165 mm	
Model	TLE27002H + TLE03502H	
Materials	Chrome Plated	
Manufacturer	TO TO (Japan)	
Source	Ka Shing Enterprises (H.K) Limited Mr. Ivan Lau / Mr. Gilman Yuen	
Contact Tel/Fax E-mail Website	(852) 2628-0661 / (852) 2490-2700 project@kashingehk.com www.kashingehk.com	



Note:

* All information of the above is for the reference only. No prior notice is made if any changes.

註冊號碼 (Registration No.): TN 22-0018



自願參與用水效益標籤計劃 - 水龍頭
Voluntary Water Efficiency Labelling Scheme - Water Taps

Certificate of Registration

註冊證書




茲證明

This is to certify that

將下列水龍頭在本計劃內註冊：
has registered the following water tap under this scheme :

牌子 / Brand	:	TOTO + Neoperl
型號 / Model	:	TLE27002H + TLE03502H + 58.8138.10000
種類 / Type	:	Non-mixing
原產地 / Country or Region Origin	:	Japan (Tap) UK (Flow Controller)

在用水效益標籤上展示的標誌 <i>Symbolic Presentation on the Water Efficiency Label</i>	:		滴水點 <i>Water droplet(s)</i>
用水效益級別 <i>Water Efficiency Grade</i>	:	1	with additional merit*
耗水量 <i>Water Consumption</i>	:	1.9	公升/分鐘 <i>litres/minute</i>

*with additional merit of "Automatic closing mechanism"

簽發日期: 17 January 2022
Date of Issue:

 水務署
Water Supplies Department



水務署署長(尤孝賢代行)
for Director of Water Supplies

INSTALLATION PROCEDURE

Connect the Spout to the Controller

1

2 DC type

Put Battery (TLE0450**)

Cover Battery (1.5V x2UT)

Caution
Please check battery pole in right way when you put in battery case. If sensor not working, please change new battery AA type 2 units.

After supply electricity, sensor will set up automatically (about 20 seconds)

1. These are non-rechargeable batteries are not to be recharged.
2. Different types of batteries or new and used batteries are not to be mixed.
3. Exhausted batteries are to be removed from the appliance and safely disposed of.
4. If the appliance is to be stored unused for a long period, the batteries should be removed.
5. The supply terminals are not to be short-circuited.

3

4

5 AC type

The shape of the actual product may differ somewhat from drawings depending on the model number

INSTALLATION PROCEDURE

1 Install the Controller

1

Unit: mm

2

D-cut
D-cut

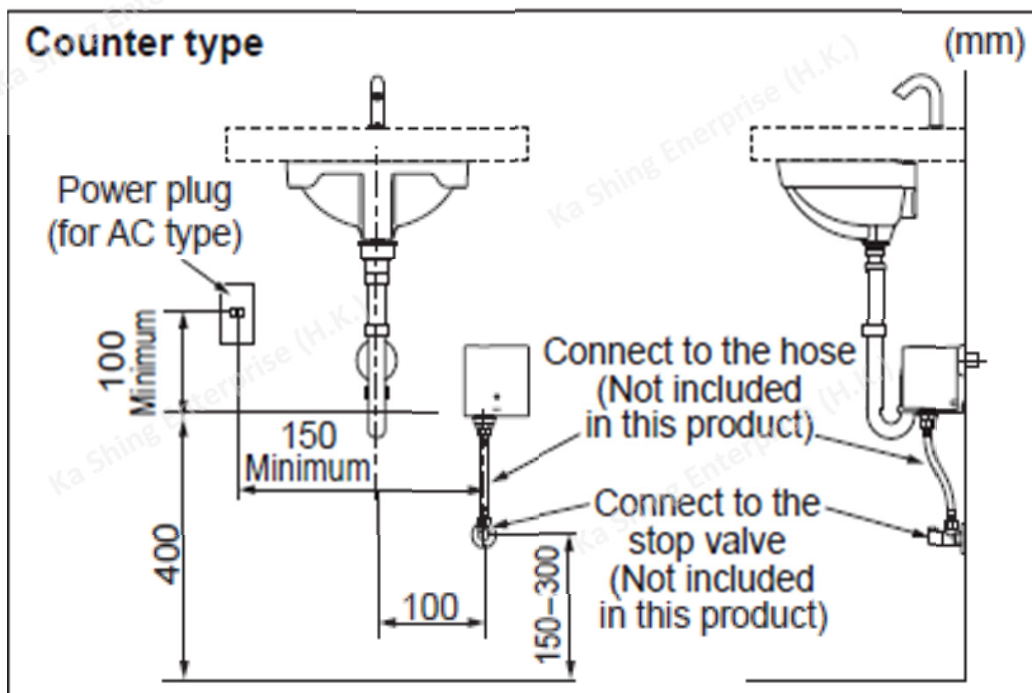
3

Install the Spout for Counter type

1

2

90°





水務署
Water Supplies Department

總部 Headquarters

香港灣仔告士打道七號入境事務大樓 48 樓

48/F, Immigration Tower, 7 Gloucester Road, Wan Chai, Hong Kong

本署檔號 : (2) in WSD 3321/2021 T/J(1667/2021)
Our ref.
來函檔號 :
Your ref.

電話 :
Tel.
傳真 : 2824 0578
Fax.

20 December 2021



Dear Sir,

**Approval of "TOTO" Sensor Tap
(General Acceptance No. C20211421)**

Your letter ref. L-TT-8657 dated 15 November 2021 refers.

Having considered the test reports ref. 212786PC210203 and 201726EN201352 issued on 7 October 2021 and 4 March 2021 by Fugro Technical Services Ltd., this Authority accepts that the fitting described below complies with, and its use when correctly installed does not contravene, the Waterworks Ordinance and Regulations.

Name of Manufacturer: TOTO Aquatechno Ltd
Country of Origin: Japan
Brand: TOTO
Details of Fitting: 1/2" Deck mounted sensor tap with 1 no. of flexible hose
Model: TLE27002H + TLE03502H
Body Markings: **TOTO**
Expiry Date: 30 July 2025



This Authority hereby permits the use of the above fitting in fresh water plumbing systems subject to full adherence to Waterworks installation requirements. In particular, you are required to draw your customers' attention to the following requirement-

"A stop cock or gate valve must be installed at the upstream of the fitting for manual isolation of water supply." AND

"The main voltage operated sensor valve should comply with the electricity safety regulation for applications in bathroom, toilet etc."

A condition of this acceptance is that the fitting to be installed shall be replicas of the sample as certified by the testing agent mentioned above and without modifications. This acceptance may be withdrawn at any time if the standard of the fitting installed fail to meet that of the approved sample or if the fitting is found to be unsuitable for use in fresh water plumbing systems.

This acceptance is only applicable to the main body of the fitting, unless otherwise specified.

For the use of the fitting in any project, the General Acceptance Number of this letter must be quoted as a means of identification of acceptance of the fitting by this Authority.

Should you have any enquiries, please contact our Engineer Ms Winnie LO at tel. no. 3583 4086.

Yours faithfully,



(Roger WONG)
for Director of Water Supplies

Encl.

c.c. WSD 3321/1/82] - without catalogue
 ME/MC] - with soft copy only