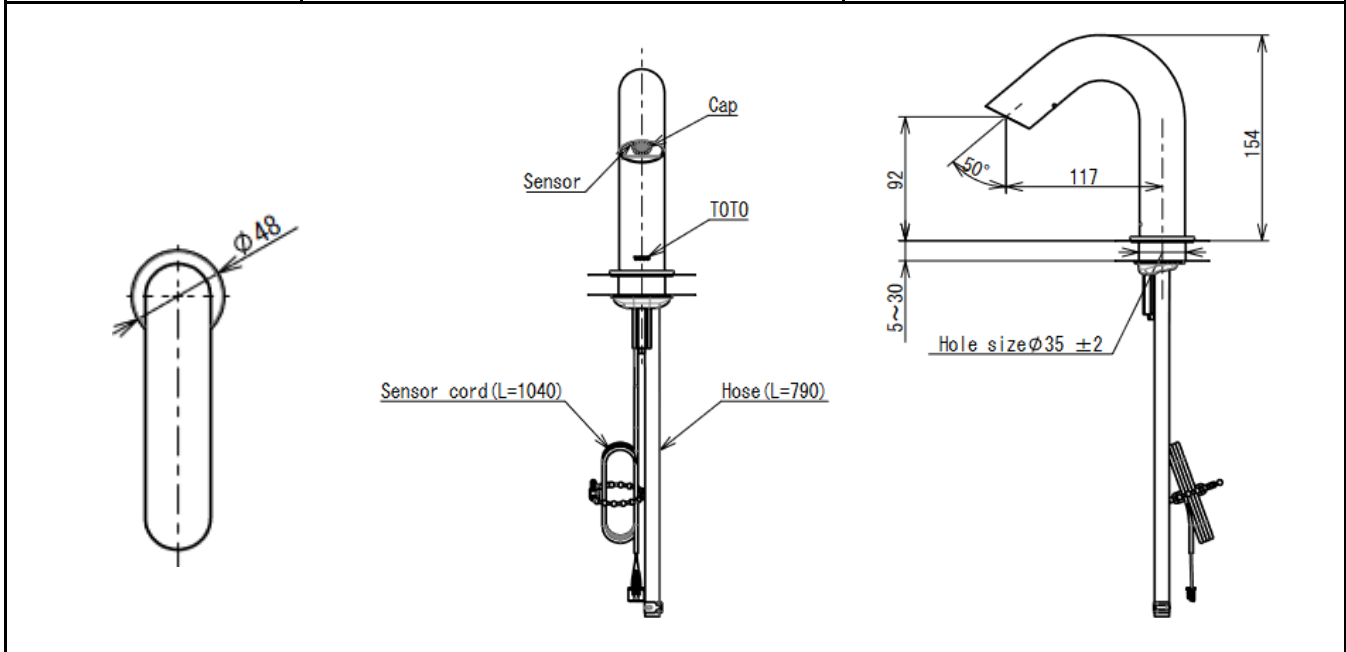




PROJECT		REF		REV	ITEM CODE	
LOCATION		DATE			PAGE	

## SANITARY WARE SPECIFICATION SHEET

Item Descriptions	TO TO (PRC) Chrome plated wall mounted sensor faucet (Integrated) top access replacement of batteries; AC supply; nominated flow rate 1.9 l/min in WELS Grade 1; Registration No. TN 22-0023	<p>Illustration/ Drawing</p> <p>Spout Height 92mm Water Pressure 0.05MPa-0.75MPa Finish Chrome Plate Flow Rate 1.3L/min Remarks Flow rate 2L/min model also available</p>
Dimensions	W117 x D48 x H154 mm	
Model	TLE28001H + TLE04501H	
Materials	Chrome Plated	
Manufacturer	TO TO (PRC)	
Source	Ka Shing Enterprises (H.K) Limited Mr. Ivan Lau / Mr. GilmanYuen	
Contact Tel/Fax	(852) 2628-0661 / (852) 2490-2700	
E-mail	project@kashingehk.com	
Website	www.kashingehk.com	



Note:

\* All information of the above is for the reference only. No prior notice is made if any changes.

註冊號碼 (Registration No.): TN 22-0010



自願參與用水效益標籤計劃 - 水龍頭  
Voluntary Water Efficiency Labelling Scheme - Water Taps


Certificate of Registration  
註冊證書



茲證明  
This is to certify that

將下列水龍頭在本計劃內註冊：  
has registered the following water tap under this scheme :

牌子 / Brand	:	TOTO + Neoperl
型號 / Model	:	TLE28001H + TLE04501H + 58.6402.10000
種類 / Type	:	Non-mixing
原產地 / Country or Region Origin	:	China (Tap) UK (Flow Controller)

在用水效益標籤上展示的標誌 <i>Symbolic Presentation on the Water Efficiency Label</i>	:	 滴水點 <i>Water droplet(s)</i>
用水效益級別 <i>Water Efficiency Grade</i>	:	1 with additional merit*
耗水量 <i>Water Consumption</i>	:	1.0 公升/分鐘 <i>litres/minute</i>

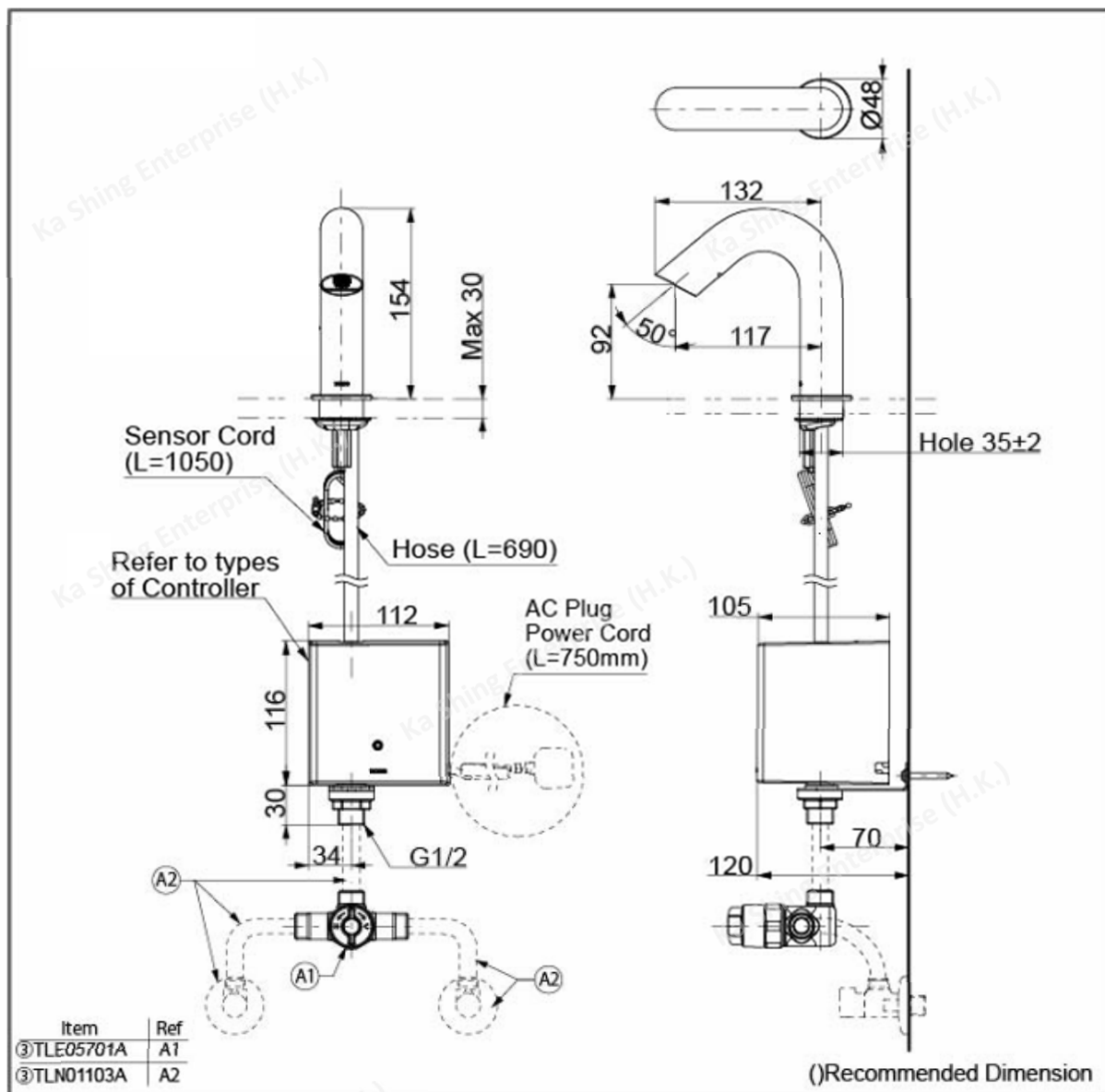
\*with additional merit of "Automatic closing mechanism"

簽發日期: 5 January 2022  
Date of Issue:

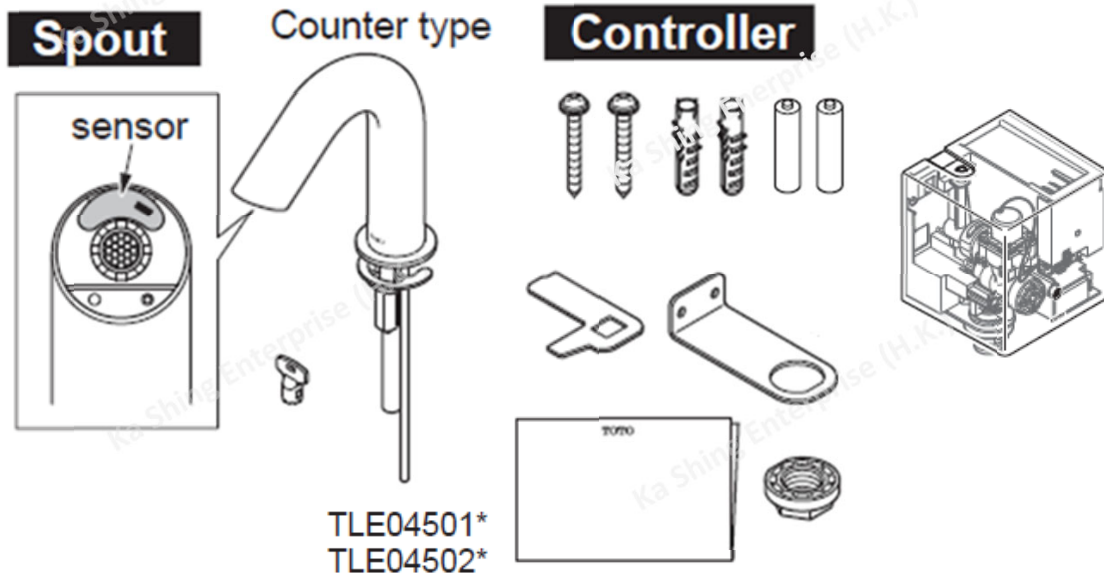
 水務署  
Water Supplies Department



水務署署長(尤孝賢代行)  
for Director of Water Supplies



## STRUCTURAL PARTS



The shape of the actual product may differ somewhat from drawings depending on the model number.

## INSTALLATION PROCEDURE

### Connect the Spout to the Controller

**1**

**2 DC type**

Put Battery (TLE0450\*\*)

Cover

Battery (1.5V x2UT)

**Caution**  
Please check battery pole in right way when you put in battery case. If sensor not working, please change new battery AA type 2 units.

After supply electricity, sensor will set up automatically (about 20 seconds)

1. These are non-rechargeable batteries are not to be recharged.
2. Different types of batteries or new and used batteries are not to be mixed.
3. Exhausted batteries are to be removed from the appliance and safely disposed of.
4. If the appliance is to be stored unused for a long period, the batteries should be removed.
5. The supply terminals are not to be short-circuited.

**3**

**4**

**5 AC type**

The shape of the actual product may differ somewhat from drawings depending on the model number

## INSTALLATION PROCEDURE

### Install the Controller

**1**

Unit: mm

**2**

D-cut

D-cut

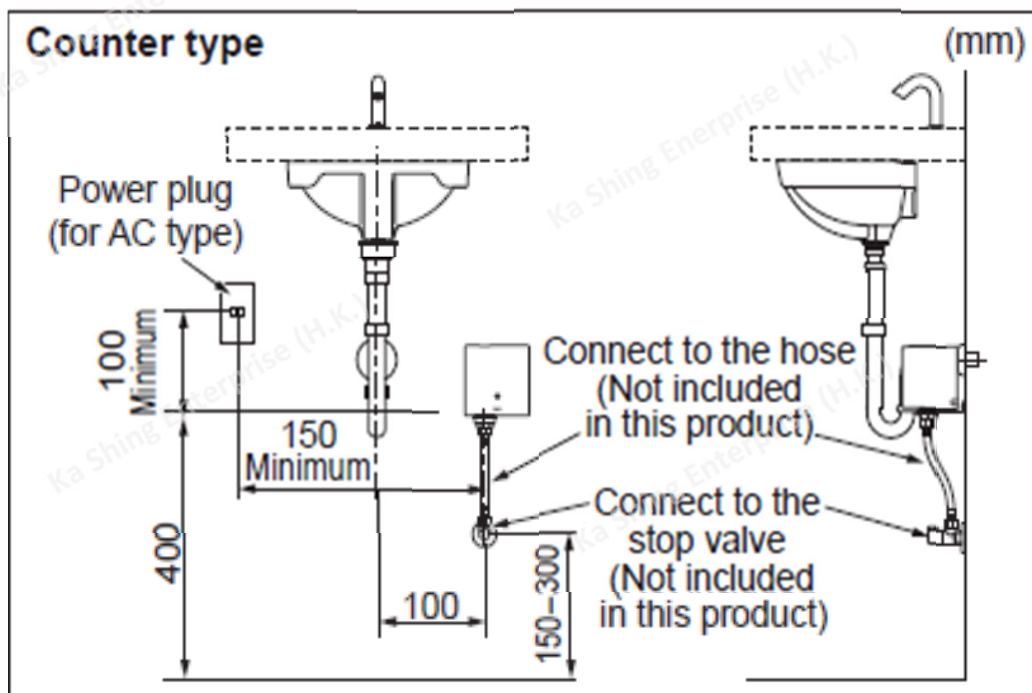
**3**

### Install the Spout for Counter type

**1**

**2**

90°







水務署  
Water Supplies Department

總部 Headquarters

香港灣仔告士打道七號入境事務大樓 48 樓

48/F, Immigration Tower, 7 Gloucester Road, Wan Chai, Hong Kong

本署檔號 : (4) in WSD 3321/2021 T/J(1346/2021)  
Our ref.  
來函檔號 :  
Your ref.

電話 :  
Tel.  
傳真 : 2824 0578  
Fax.

12 November 2021



Dear Sir,

**Approval of "TOTO" Sensor Taps  
(General Acceptance No. C20211262)**

Your letters ref. L-TT-8578 and L-TT-8618 dated 30 August 2021 and 15 October 2021 respectively refer.

Having considered the test reports ref. 207006PC200466(20)A and 201726EN201352 issued on 6 October 2021 and 4 March 2021 by Fugro Technical Services Ltd., this Authority accepts that the fittings described below comply with, and their use when correctly installed does not contravene, the Waterworks Ordinance and Regulations.

**Name of Manufacturer:** TOTO (Shanghai) Co Ltd  
**Country of Origin:** the Mainland of China  
**Brand:** TOTO  
**Details of Fitting:** 1/2" Deck mounted sensor tap with 1 no. of flexible hose  
**Model:** TLE28001H + TLE04501H  
TLE28001H + TLE01501H  
**Body Markings:** **TOTO**



**Expiry Date:** 30 July 2025

This Authority hereby permits the use of the above fittings in fresh water plumbing systems subject to full adherence to Waterworks installation requirements. In particular, you are required to draw your customers' attention to the following requirement-

"A stop cock or gate valve must be installed at the upstream of the fittings for manual isolation of water supply." AND

"The main voltage operated sensor valve should comply with the electricity safety regulation for applications in bathroom, toilet etc."

A condition of this acceptance is that the fittings to be installed shall be replicas of the samples as certified by the testing agent mentioned above and without modifications. This acceptance may be withdrawn at any time if the standard of the fittings installed fail to meet that of the approved samples or if the fittings are found to be unsuitable for use in fresh water plumbing systems.

This acceptance is only applicable to the main body of the fittings, unless otherwise specified.

For the use of the fittings in any project, the General Acceptance Number of this letter must be quoted as a means of identification of acceptance of the fittings by this Authority.

Should you have any enquiries, please contact our Engineer Ms Winnie LO at tel. no. 3583 4086.

Yours faithfully,



(YAU Hau Yin)

for Director of Water Supplies

Encl.

c.c. WSD 3321/1/82 ] - without catalogue  
ME/MC ] - with soft copy only