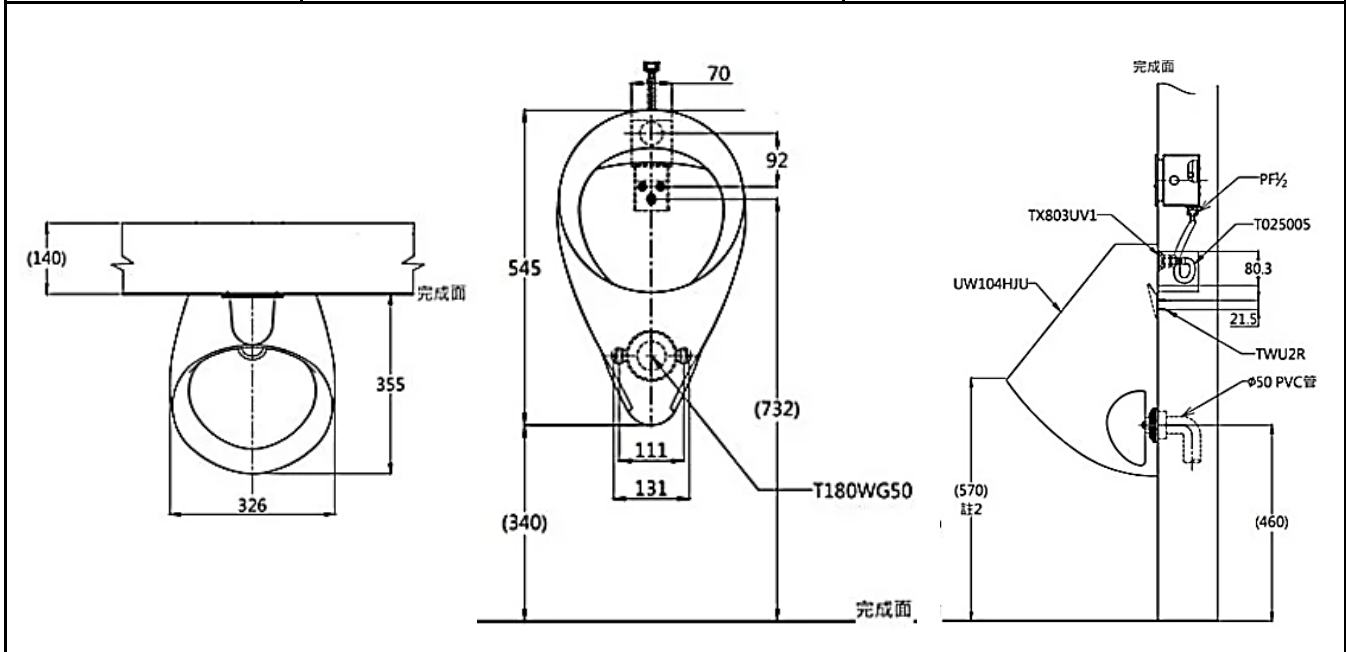




PROJECT		REF		REV	ITEM CODE	
LOCATION		DATE			PAGE	

SANITARY WARE SPECIFICATION SHEET

Item Descriptions	TO TO (Indonesia) Wall hung back spud urinal; 1.1 LPF in WELS Grade 1 ; Registration No. 1U 21-0037	<p>Illustration/ Drawing</p>
Dimensions	326W x 355D x 545H mm	
Model	UW104HJ	
Materials / Colour	Vitreous China / White	
Manufacturer	TO TO (Indonesia)	
Source	Ka Shing Enterprises (H.K) Limited Mr. Ivan Lau / Mr. GilmanYuen	
Contact Tel/Fax	(852) 2628-0661 / (852) 2490-2700	
E-mail Website	project@kashingehk.com www.kashingehk.com	



Note:

* All information of the above is for the reference only. No prior notice is made if any changes.

註冊號碼 (Registration No.): 1U 21-0037



自願參與用水效益標籤計劃 - 小便器用具
Voluntary Water Efficiency Labelling Scheme - Urinal Equipment

Certificate of Registration
註冊證書

茲證明
This is to certify that

將下列小便器用具在本計劃內註冊：
has registered the following urinal equipment under this scheme:

牌子 / Brand	:	TOTO
型號 / Model	:	UW104HJ
種類 / Category	:	1
原產地 / Country or Region Origin	:	Indonesia

在用水效益標籤上展示的標誌 <i>Symbolic Presentation on the Water Efficiency Label</i>	:		滴水點 <i>Water droplet(s)</i>
用水效益級別 <i>Water Efficiency Grade</i>	:	1	
沖水量 <i>Water Flush Volume</i>	:	1.1	公升/循環 <i>litres/cycle</i>

簽發日期: 12 November 2021
Date of Issue:

 水務署
Water Supplies Department



水務署署長(尤孝賢代行)
for Director of Water Supplies

* 上述小便器用具具有智能功能，並且能達至額外節省用水。
The above urinal equipment is operated with a smart demand operation to achieve additional water saving.