



# Ka Shing Enterprise (H.K.) Ltd.

ROOM 1706 NEW TERRITORIES TSUEN WAN HO LIK CENTRE, 66A SHA TSUI ROAD


Tel:26280661 Fax: 24902700

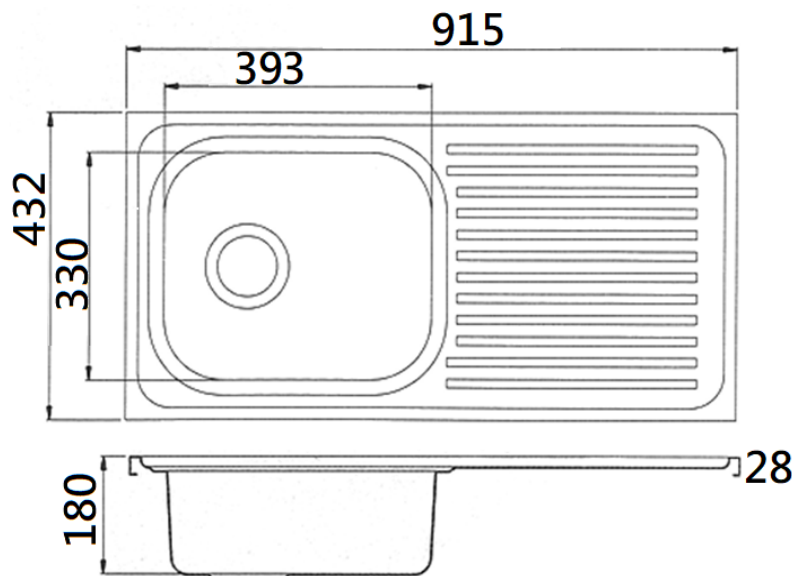
Email: project@kashingehk.com

Website: www.kashingehk.com

PROJECT		REF		REV	ITEM CODE	
LOCATION		DATE			PAGE	

## SANITARY WARE SPECIFICATION SHEET

Item Descriptions	YY (PRC) 304 Stainless steel single end bowl insert lay-on sink with waste fittings; complies with: BS 1244-2: 1988;BS 1449-2 : 1983 & BS EN 10088-3:2014 test report <b>RHSF008C</b>	<p>Illustration/ Drawing</p>  
Dimensions	L915 X W432 x H180 mm (Overall) L393 x W330 x H180 mm (Bowl)	
Model	YY-22331	
Material	Stainless Steel 304	
Manufacturer	YY(PRC)	
Source	Ka Shing Enterprises (H.K) Limited Mr. Ivan Lau / Mr. Gilman Yuen	
Contact Tel/Fax	(852) 2628-0661 / (852) 2490-2700	
E-mail	project@kashingehk.com	
Website	www.kashingehk.com	



Note:

\* All information of the above is for reference only. No prior notice is made if any changes.



**IDEAL Test Consultants Ltd.**  
亞典測試顧問有限公司

Unit 18, 8/F., World-Wide Industrial Ctn,  
43 - 47 Shan Mei Street,  
Fo Tan, N.T. H.K..  
Tel: 3702 1986 Fax: 3702 1987  
Email: sunny@idealtest.com.hk

## TEST REPORT

REPORT REFERENCE NO. : **RHSF008C**  
TITLE : Testing of Kitchen sink  
METHOD OF TEST : BS1244-2: 1988, BS1449-2: 1983 & BSEN10088-3: 2014  
PERIOD OF TESTS : 16<sup>th</sup> Sep., 2022 to 10<sup>th</sup> Oct., 2022  
SAMPLE SUBMITTED BY :  
(Information below provided by client)

DESCRIPTION OF SAMPLE : Stainless steel kitchen sink; single bowl; size: 17" x 36"  
BRAND : Nil  
MODEL : YY-22331  
BODY MARKING :   
MANUFACTURER : Nil  
COUNTRY OF ORIGIN : China




SUMMARY OF RESULTS :

*(Definition of 'C' – Conformance, 'NC' – Non – Conformance & '/' – No requirement)*

Test	Overall result
1. Dimension	C
2. Materials	C

Date: 11 Oct. 2022

Authorized signature: \_\_\_\_\_

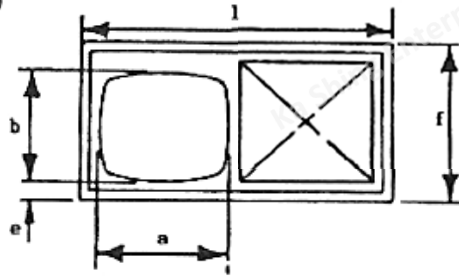
  
Sunny K.S. Wong  
(Director)



**Report reference no.: RHSF008C**

**RESULTS: -** (apply only to the sample tested)

**1. Dimension (mm)**  
(BS1244-2: 1988, clause 13)



		Sample	BS Requirement	Remark
Overall length	l	915	/	/
Overall width	f	432	515 max. for 600 cabinet	C
Depth of bowl measured from the top edge of the bowl to the deepest part, including the double recess for the waste outlet.	/	193	180 min.	C
Internal length of bowl measured on the bowl centre lines across the top of the bowl	a*	393	/	/
Internal width of bowl measured on the bowl centre lines across the top of the bowl	b*	330	/	/
Minimum distance between the edge of sink bowl and the end of the sink	e	50	45 min.	C
Waste hole diameter	/	56	/	/
Minimum thickness of material before forming	/	0.96	0.83 min.	C
<b>Overall result</b>				<b>C</b>

\* There is no restriction on bowl shape provided the minimum dimensions given in this clause are complied with  
Dimensions given are minimum dimensions unless otherwise stated.

**2. Materials**

(Designation to BS1244-2: 1988 clause 6, BS1449-2: 1983 & BSEN10088-3: 2014)

Variable	Unit	Measured	Required			Remark
			BS1449 part 2: 1983 Grade 304S15	BS1449 part 2: 1983 Grade 304S31	BSEN10088-3:2014 Grade 1.4301	
C - Carbon	%	0.06	≤ 0.06	≤ 0.07	≤ 0.07	C
Si - Silicon	%	0.37	≤ 1.00	≤ 1.00	≤ 1.00	C
Mn - Manganese	%	1.02	≤ 2.00	≤ 2.00	≤ 2.00	C
Ni - Nickel	%	8.29	8.0-11.0	8.0-11.0	8.0-10.5	C
Cr - Chromium	%	18.26	17.5-19.5	17.0-19.0	17.5-19.5	C
S - Sulphur	%	0.015	≤ 0.030	≤ 0.030	≤ 0.030	C
P - Phosphorus	%	0.032	≤ 0.045	≤ 0.045	≤ 0.045	C
N - Nitrogen	%	0.05	/	/	≤ 0.10	C
<b>Overall result</b>						<b>C</b>

- End of report -