
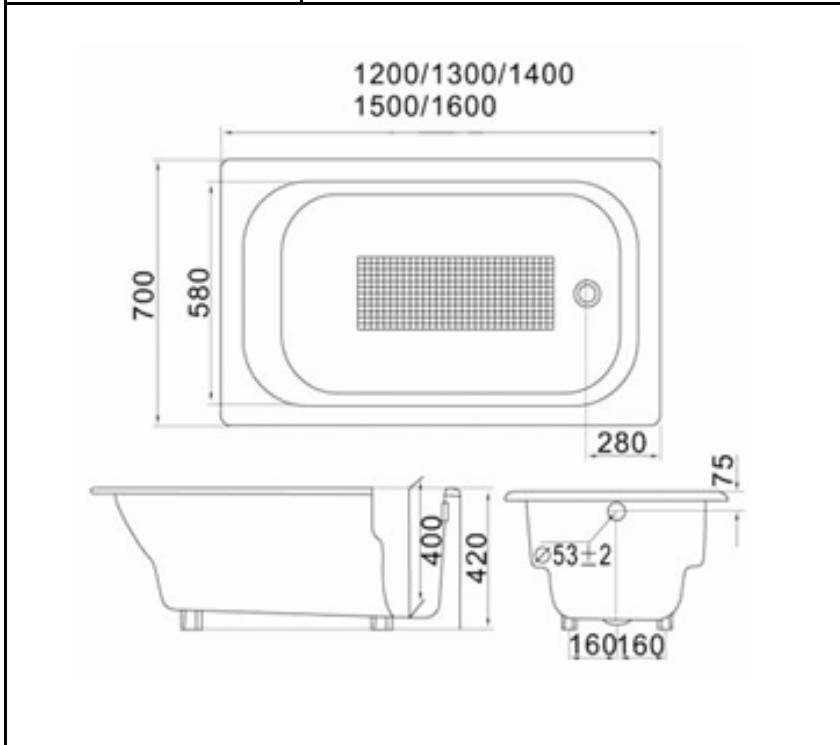




PROJECT		REF		REV	ITEM CODE	
LOCATION		DATE			PAGE	

SANITARY WARE SPECIFICATION SHEET

Item Descriptions	KITA (PRC) Cast iron bathtub with anti-slip surface	<p>Illustration/ Drawing</p> 
Dimensions	Refer to drawing	
Model	ZYA-8	
Finish	Cast Iron	
Manufacturer	KITA (PRC)	
Source	Ka Shing Enterprises (H.K) Limited Mr. Ivan Lau / Mr. Gilman Yuen	
Contact Tel/Fax	(852) 2628-0661 / (852) 2490-2700	
E-mail Website	project@kashingehk.com www.kashingehk.com	



Model: ZYA-8

CAST IRON BATHTUB

- Size: 1500 X 700 X 390mm
1400 X 700 X 390mm
1300 X 700 X 390mm
1200 X 700 X 390mm

Note:

* All information of the above is for the reference only. No prior notice is made if any changes.