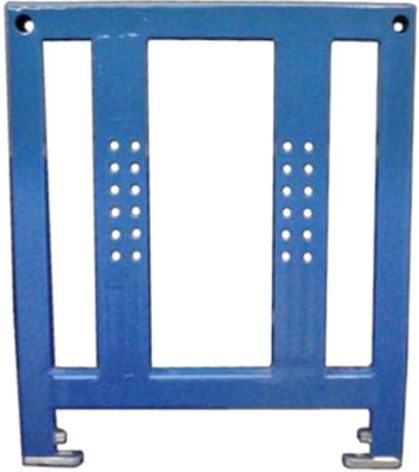
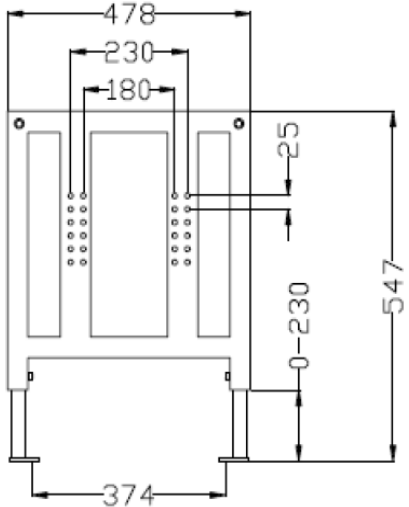




PROJECT		REF		REV	ITEM CODE	
LOCATION		DATE			PAGE	

SANITARY WARE SPECIFICATION SHEET

<p>Item Descriptions</p> <p>Model</p> <p>Material</p> <p>Manufacturer</p> <p>Source</p> <p>Contact Tel/Fax</p> <p>E-mail</p> <p>Website</p>	<p>MEITU (PRC) Bracket set for wall hung toilet with test report (BSEN997-2003) : J17760</p> <p>JT38</p> <p>Plastic</p> <p>MEITU (PRC)</p> <p>Ka Shing Enterprises (H.K.) Limited Mr. Ivan Lau / Mr. Gilman Yuen</p> <p>(852) 2628-0661 / (852) 2490-2700</p> <p>project@kashingehk.com</p> <p>www.kashingehk.com</p>	<p>Illustration/ Drawing</p>  
---	--	--

Note:

* All information of the above is for the reference only. No prior notice is made if any changes.



NUTEK SYSTEMS, LTD.

Unit B, 13/F, Block A, Universal Ind. Ctr., 23-25 Shan Mei Street, Fo Tan, Shatin, N.T., Hong Kong.
Tel: (852) 2605 5736 Fax: (852) 2692 0798 E-mail: nutek@nuteksystems.com

TITLE : Testing of WC Cistern and Bowl
OUR REFERENCE : J17760
DESCRIPTION OF SAMPLE: Vitreous China close-coupled WC bowl and cistern supplied with internal fittings as follows:

Sample	Brand	Origin	Model
WC bowl			
Support Frame	Meitu	China	JT38

SAMPLE SUBMITTED BY :

METHOD OF TESTS : The following tests were performed in accordance with BSEN997: 2003:

Description of tests	BSEN997's reference clause	
	Requirement / acceptance criteria	Test procedures
Static load test	6.14, 5.4	5.8.4

PERIOD OF TESTS : 16th May 2014

RESULTS: - (apply only to the sample tested)

1. STATIC LOAD TEST

	Applied test load (kN)	Duration (hour)	Sign of damage
Test result	4.0	1	The sample shall show no cracking or permanent deformation
BSEN Requirement	4.00 ±0.05	1	The sample shall show no cracking or permanent deformation

2. SUMMARY OF TEST RESULTS

Static load test - C

(C = the test results comply with the BSEN's requirements.)

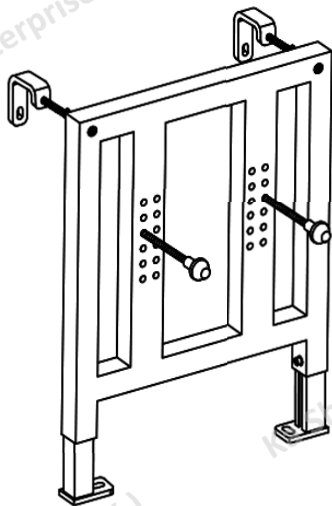
Date : 23 MAY 2014 Authorized signature :

Nutek Systems is a testing agency, approved by the Water Authority and Government Supplies Department, for testing water supply fittings.

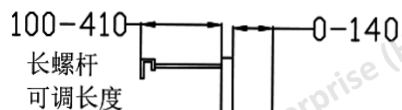
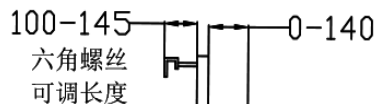
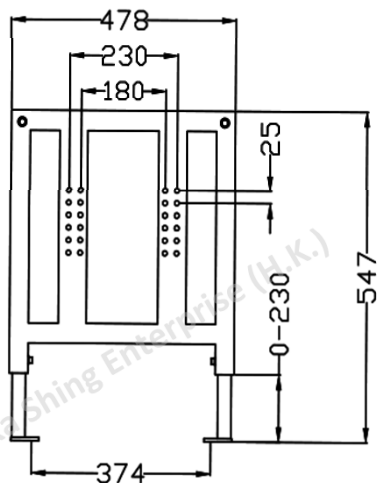
Sunny K.S. Wong

(Director)

隐藏水箱支架安装说明书



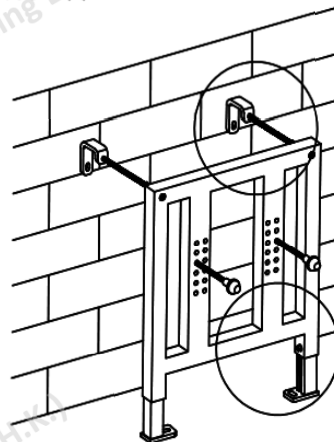
隐藏水箱支架安装尺寸图



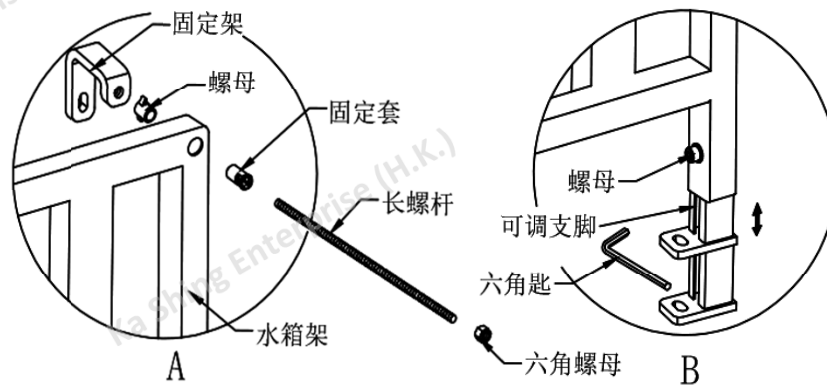
单位:mm

隐藏水箱支架安装方法与程序

长螺杆安装:

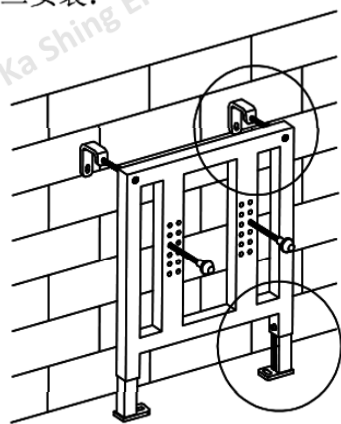


固定架	螺母	固定套	长螺杆	螺母

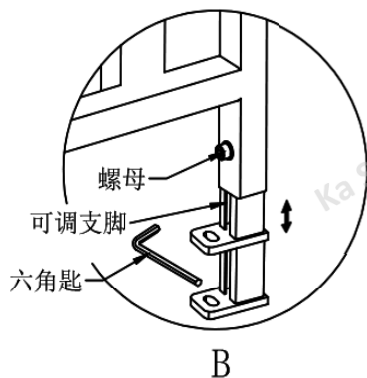
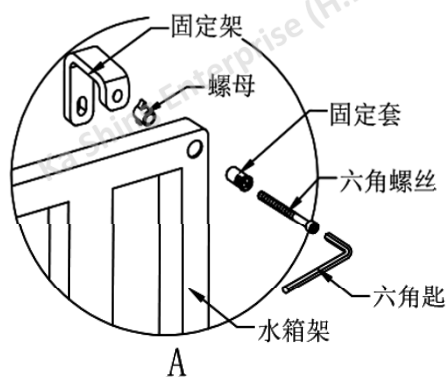


如图A将长螺杆连同固定套装在水箱架小孔内。然后将螺母锁紧长螺杆在铁架上。再用扳手把螺母拧紧。
注：安装合适后把长螺杆多余的长度用锯锯断
如图B用六角匙拧松螺母，使可调支脚可以按照客户的理想高度进行调节。

六角螺丝安装:

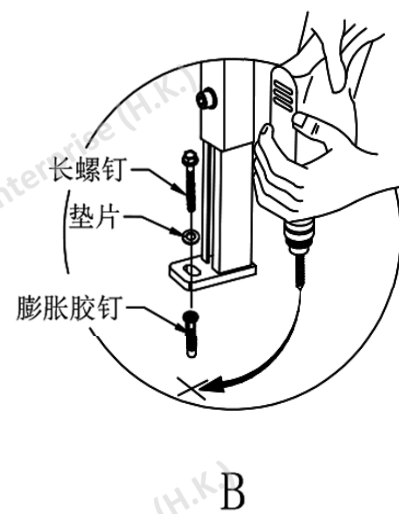
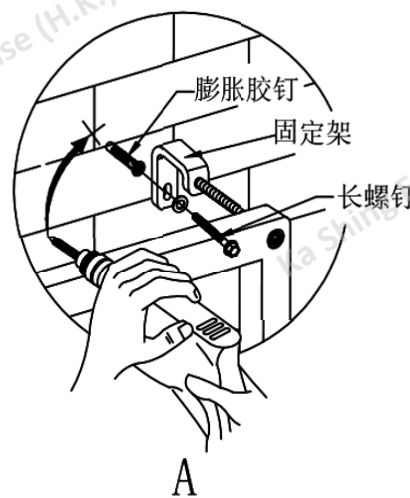
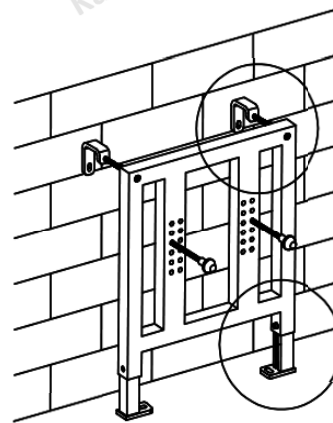


			
固定架	螺母	固定套	六角螺丝

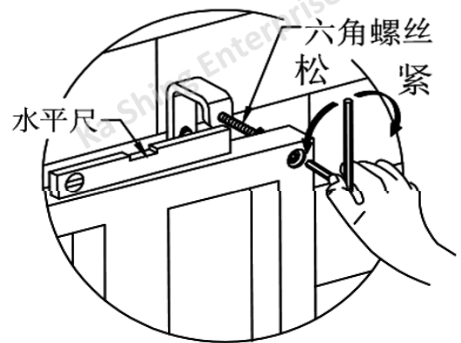
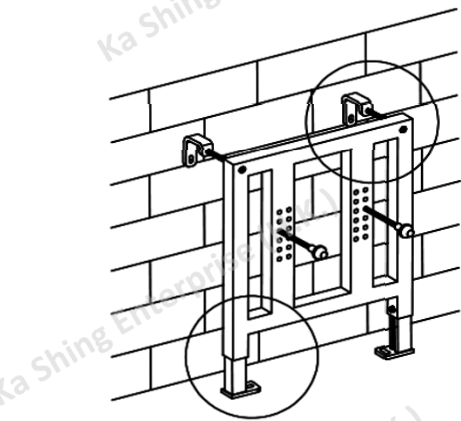


如图A将六角螺丝连同固定套装在水箱架小孔内。然后将螺母锁紧在六角螺丝上，再用六角匙把六角螺丝拧紧在固定架上。

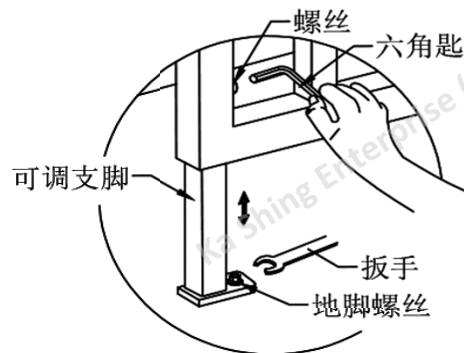
如图B用六角匙拧松螺母，使可调支脚可以按照客户的理想高度进行调节。



如图在安装孔里用冲击钻钻4个 $\phi 12\text{mm}$ 深60mm的小孔，然后装上膨胀胶钉，拧紧长螺丝钉。



A



B

如图A用六角匙把六角螺丝拧紧。

如图B用六角匙将可调支架的螺丝拧紧，再用扳手拧紧地脚螺丝。注：妇洗器支架一定要保持水平。