
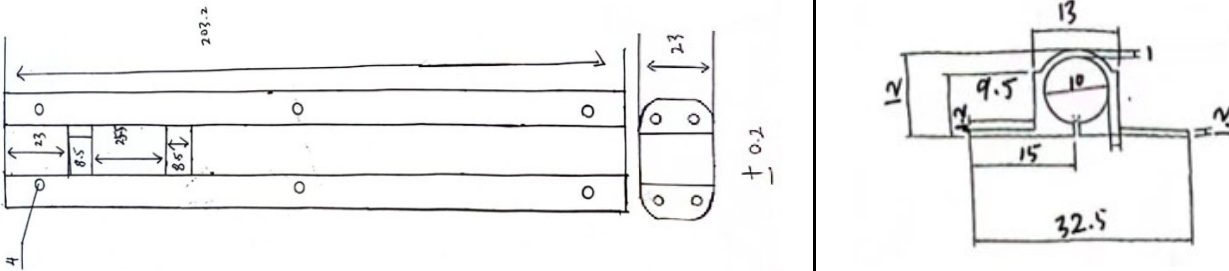




PROJECT		REF		REV	ITEM CODE	
LOCATION		DATE			PAGE	

ANTI-THEFT SERIES SPECIFICATION SHEET

<p>Item Descriptions</p> <p>Dimensions</p> <p>Model</p> <p>Finish</p> <p>Origin</p> <p>Manufacturer</p> <p>Source</p> <p>Contact Tel/Fax</p> <p>E-mail</p> <p>Website</p>	<p>SODUN (P.R.C.) Security Brass Barrel Bolt 8" x 9.5 mm</p> <p>226.2 x 32.5 x 12 mm</p> <p>AG-16B</p> <p>Copper</p> <p>P.R.C.</p> <p>SODUN (P.R.C.)</p> <p>Ka Shing Enterprises (H.K.) Limited Mr. Ivan Lau / Mr. GilmanYuen</p> <p>(852) 2628-0661 / (852) 2490-2700 project@kashingehk.com www.kashingehk.com</p>	<p>Illustration/ Drawing</p>  
<p>Item specifics:</p> <ul style="list-style-type: none"> - Lock Sizes: 8" - Screw Holes: 6 + 2 - Materials: Brass - Suitable For Bathroom, Bedroom, Cupboards, Chests, Cabinets, Wooden Wickets, Windows, Fences, Kennels, Office & Other Indoor Doors 		

Note:

* All information of the above is for reference only. No prior notice is made if any changes.