




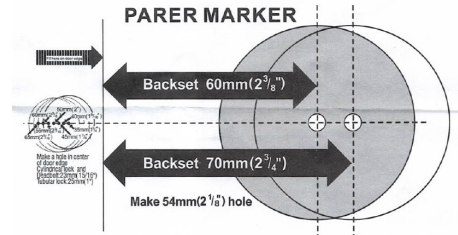
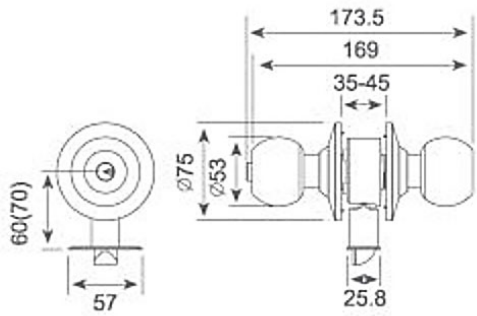
PROJECT		REF		REV	ITEM CODE	
LOCATION		DATE			PAGE	

DOOR LOCK SPECIFICATION SHEET

Item Descriptions	SODUN (P.R.C.) Entrance Lock Knobset (Stainless Steel)	Illustration/ Drawing 
Backset	70 mm	
Model	T6872	
Finish	Stainless Steel	
Origin	P.R.C.	
Manufacturer	SODUN (P.R.C.)	
Source	Ka Shing Enterprises (H.K) Limited Mr. Ivan Lau / Mr. Gilman Yuen	
Contact Tel/Fax E-mail Website	(852) 2628-0661 / (852) 2490-2700 project@kashingehk.com www.kashingehk.com	

Specification:
 - Material: Stainless Steel, Brass
 - Keyless with Snib Turn and Release Set and Push-Button

Compliance with:
 - BS 5872:1980 (Category A Lock) for HKHA Project according to the specification IROI.M740 of 2008 Edition



HOW TO INSTALL THIS CYLINDRICAL LOCK

1 MARK DOOR & BORE HOLES • Fill template over edge of door, mark six 6mm or 1/4" bore holes. • Use 40mm and 43mm bits through door. • Cut out a 54x24mm Bore.	2 REMOVE INSIDE KNOB • Use internal drive tool to depress catch and pull inside knob.	3 INSTALL BODY • Insert lock body into hole with screws. • Ensure catch area remains square projecting to exterior of door. • Tighten lock body with door handle depending on door thickness.	ADJUSTABLE KEYWAY FOR KEY-IN-KNOB • Turn knob clockwise until dip lock catch will reach into door set and turning counterlock over 1/4 degree. Use screwdriver catch and pull off outside knob. After opening 110 degrees, insert again.
4 INSTALL INSIDE KNOB • Insert inside knob into door with screws. • Tighten inside knob with lock. • Push inside knob all the way in until catch on body clicks into catch hole.	5 INSTALL STRIKE • After door is closed, push door inward until door jamb is flush with door. • Insert strike into door jamb and tighten screws.		

Note:

* All information of the above is for reference only. No prior notice is made if any changes.