




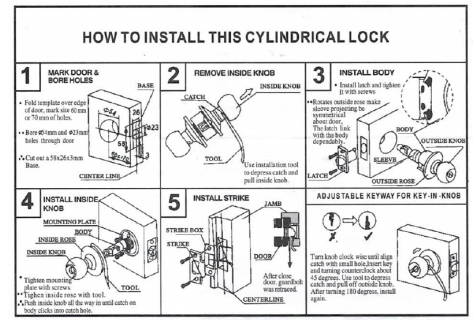
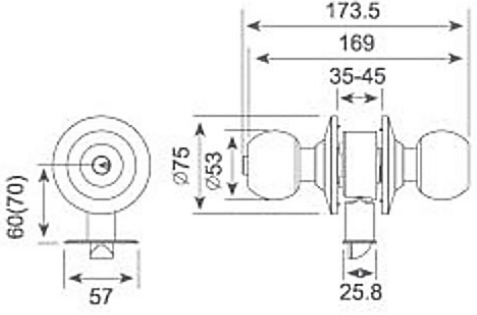
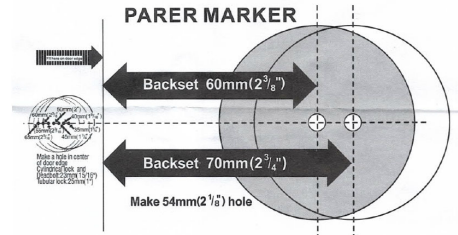
PROJECT		REF		REV	ITEM CODE	
LOCATION		DATE			PAGE	

DOOR LOCK SPECIFICATION SHEET

Item Descriptions	SODUN (P.R.C.) Entrance Lock Knobset (Stainless Steel)	Illustration/ Drawing 
Backset	70 mm	
Model	T6873	
Finish	Stainless Steel	
Origin	P.R.C.	
Manufacturer	SODUN (P.R.C.)	
Source	Ka Shing Enterprises (H.K.) Limited Mr. Ivan Lau / Mr. Gilman Yuen	
Contact Tel/Fax E-mail Website	(852) 2628-0661 / (852) 2490-2700 project@kashingehk.com www.kashingehk.com	

Specification:
 - Material: Stainless Steel, Brass
 - Keyless without Snib Turn and Release Set nor Push-Button

Compliance with:
 - BS 5872:1980 (Category A Lock) for HKHA Project according to the specification IROI.M740 of 2008 Edition



Note:

* All information of the above is for reference only. No prior notice is made if any changes.