




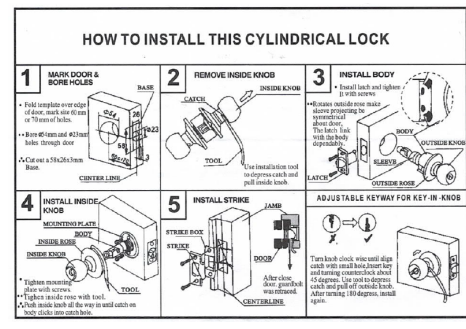
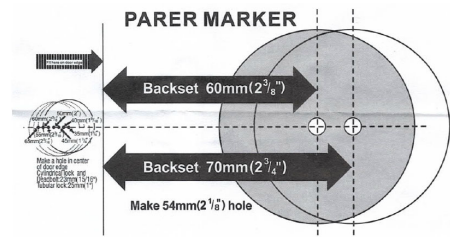
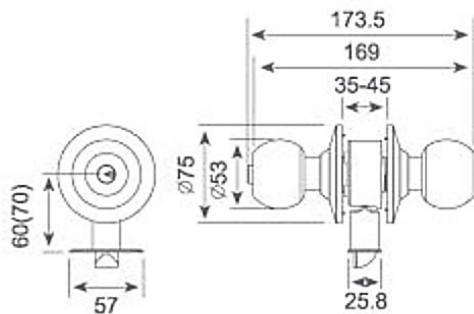
PROJECT		REF		REV	ITEM CODE	
LOCATION		DATE			PAGE	

## DOOR LOCK SPECIFICATION SHEET

Item Descriptions	SODUN (P.R.C.) Entrance Lock Knobset (Stainless Steel)	Illustration/ Drawing  
Backset	70 mm	
Model	T6871	
Finish	Stainless Steel	
Origin	P.R.C.	
Manufacturer	SODUN (P.R.C.)	
Source	Ka Shing Enterprises (H.K.) Limited Mr. Ivan Lau / Mr. Gilman Yuen	
Contact Tel/Fax	(852) 2628-0661 / (852) 2490-2700	
E-mail	project@kashingehk.com	
Website	www.kashingehk.com	

**Specification:**  
 - Material: Stainless Steel, Brass  
 - With Key and Push-Button

**Compliance with:**  
 - BS 5872:1980 (Category A Lock) for HKHA Project according to the specification IROI.M740 of 2008 Edition



Note:

\* All information of the above is for reference only. No prior notice is made if any changes.