
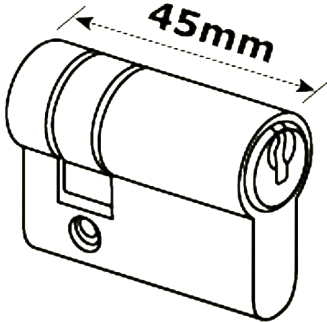
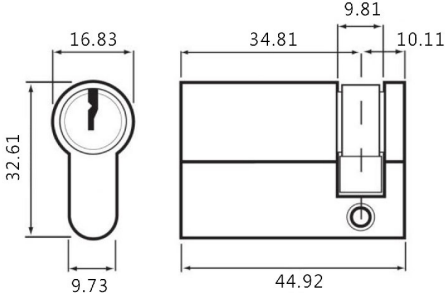




PROJECT		REF		REV	ITEM CODE	
LOCATION		DATE			PAGE	

## LOCK CYLINDER SERIES SPECIFICATION SHEET

<p><b>Item Descriptions</b></p> <p>SODUN (P.R.C.) 45mm Euro Profile Single Cylinder with Ordinary Key</p> <p><b>Dimension</b></p> <p>44.92 x 16.83 x 32.61 mm</p> <p><b>Model</b></p> <p>AB-031A</p> <p><b>Finish</b></p> <p>Satin Nickel</p> <p><b>Origin</b></p> <p>P.R.C.</p> <p><b>Manufacturer</b></p> <p>SODUN (P.R.C.)</p> <p><b>Source</b></p> <p>Ka Shing Enterprises (H.K) Limited          Mr. Ivan Lau / Mr. Gilman Yuen</p> <p><b>Contact Tel/Fax</b></p> <p>(852) 2628-0661 / (852) 2490-2700</p> <p><b>E-mail</b></p> <p>project@kashingehk.com</p> <p><b>Website</b></p> <p>www.kashingehk.com</p>	<p style="text-align: center;"><b>Illustration/ Drawing</b></p> <div style="text-align: center;">  </div> <div style="text-align: center;">  </div> <div style="text-align: center;">  </div>
<p><b>Specification:</b></p> <ul style="list-style-type: none"> <li>- Key operated to lock or unlock;</li> <li>- Anti-corrosive internal components used as standard;</li> <li>- Anti-drill and pick feature;</li> <li>- Available sub-assembled for in-house pinning</li> <li>- With 3 Ordinary Keys</li> </ul> <p><b>Application:</b></p> <ul style="list-style-type: none"> <li>- Single keyed cylinder</li> <li>- For use with euro profile lock cases</li> </ul>	

**Note:**

*\* All information of the above is for reference only. No prior notice is made if any changes.*