
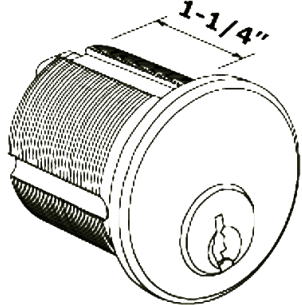
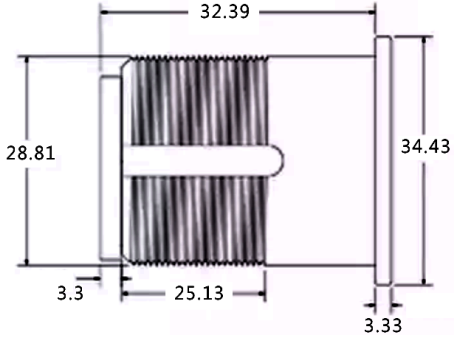




PROJECT		REF		REV	ITEM CODE	
LOCATION		DATE			PAGE	

LOCK CYLINDER SERIES SPECIFICATION SHEET

Item Descriptions	SODUN (P.R.C.) 1-1/4" Mortise Cylinder	Illustration/ Drawing
Dimension	Φ34.43 x 32.39 mm	  
Model	AB-20	
Finish	Polished Brass	
Origin	P.R.C.	
Manufacturer	SODUN (P.R.C.)	
Source	Ka Shing Enterprises (H.K) Limited Mr. Ivan Lau / Mr. Gilman Yuen	
Contact Tel/Fax	(852) 2628-0661 / (852) 2490-2700	
E-mail	project@kashingehk.com	
Website	www.kashingehk.com	
Application	Compatible with residential and commercial door locksets. Interfaces with locksets of major brands.	
Operation	360° rotation with operating key or thumbturn.	
Standard Finishes	Polished Brass	
Keys	3 Ordinary Key	

Note:

* All information of the above is for reference only. No prior notice is made if any changes.